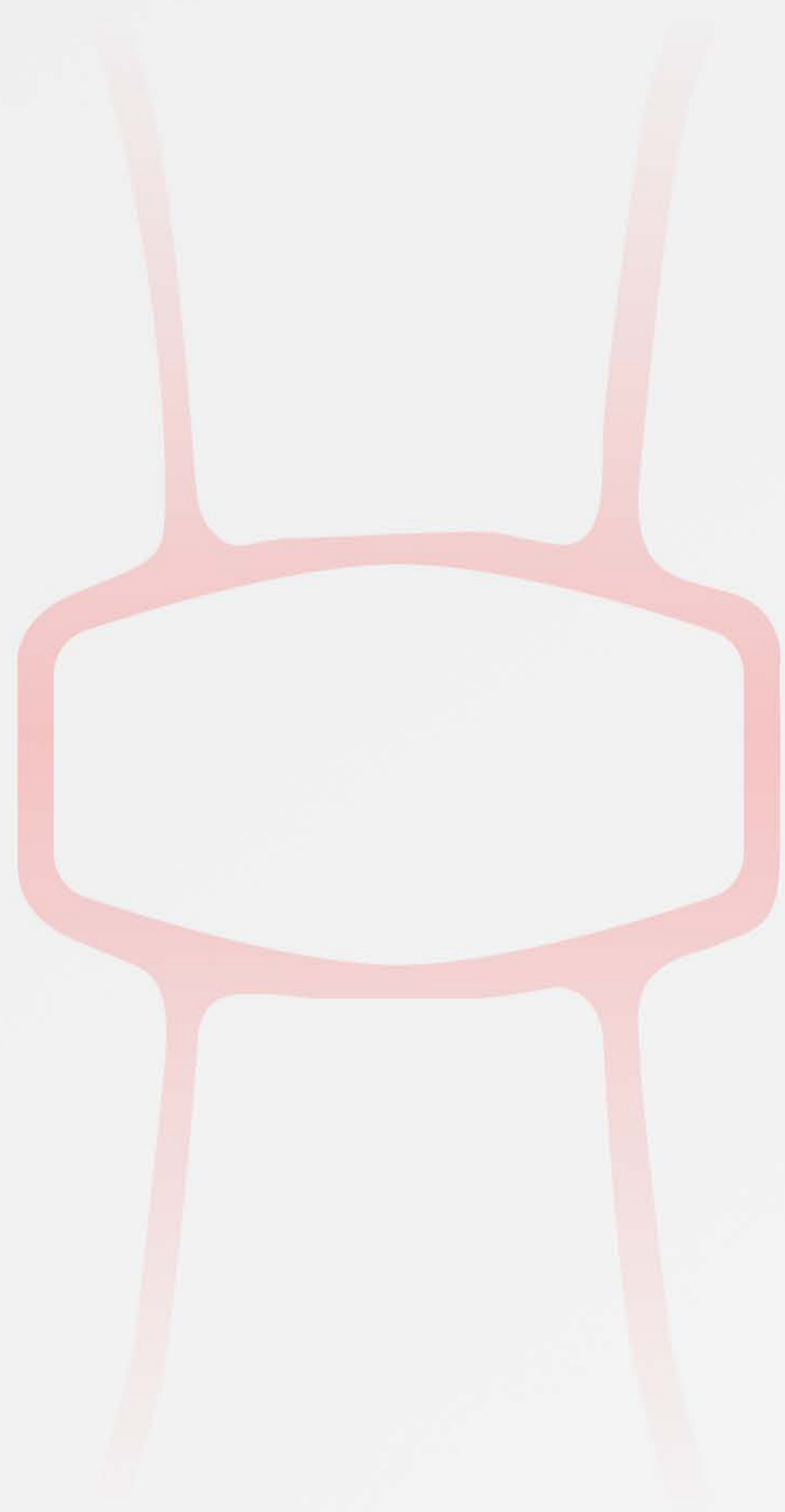


KL Seating®  
青林座椅

# SAFE AND COMFORTABLE



KL Seating®

青林座椅 成为全球专业的座椅设计和制造商

## 企业文化 CORPORATE CULTURE

### 企业使命 Our Mission

用我们的专业,为客户提供安全,舒适,经济的座椅。

Provide safe, comfortable and economical seats to customers with our professional skills.

### 企业愿景 Our Vision

成为全球座椅专业设计,制造商。

To be the global seat designer and manufacturer.

### 企业价值观 Our Values

客户第一,团队合作,创新,激情,诚信,敬业。

Customer first, Team work ,Innovation,Passion, Honest ,Dedicated.

## COMPLETE PROCESS FLOW 全套工艺流程



## 公司简介 COMPANY PROFILE

青林座椅，前身南昌青林机械厂，创建于2001年。2007年开始专注于生产座椅及座椅配件，于2016年成立南昌青林座椅制造有限公司。公司产品涉及工业车辆、工程机械、农业机械、园林机械等非道路车辆座椅及座椅配件。生产基地占地总面积达35000平方米，拥有年产座椅50万席的生产能力。产品主要供给国内外各大主机厂及售后市场，并拥有多年出口经验，主要出口欧洲，北美，南美以及东南亚等国家。

青林座椅引进先进生产设备，自动化冲压和机器焊接设备，自动流水线等。有自主研发中心和实验中心，拥有各项高精检测设备和座椅震动实验台，获得三十余项产品专利。有完善的质量管理体系，通过ISO9001:2015质量体系认证，CE认证和各项环保认证。

青林座椅与江西省属重点各大院校研发合作高端减震器，公司荣获国家高新企业、省专精特新以及南昌市企业技术中心企业等荣誉称号，还通过了环境管理体系ISO14001:2015和职业健康安全管理体系认证。

青林座椅秉承以客户为中心，团队合作，创新，激情，诚信，敬业的企业理念，竭力为客户提供舒适安全的座椅，力争成为全球专业的座椅设计和制造商！

KL Seating, founded in 2001 with the company name of Nanchang Qinglin Machinery Co.,Ltd. From 2007,we focus on seat manufacturing and seat spare parts.In 2016,Nanchang Qinglin Seat Manufacturing Co., Ltd set up. The main product including forklift seats, construction seats, agricultural seats, garden machine seats and other vehicle seats& seat spare parts. With the total area of 35000 square meters,the annual production capacity of seat can achieve 500000pcs. The products are mainly for domestic and foreign OEM and after-sales markets, We have many years of exporting experience, mainly exporting to Europe, North America, South America, Southeast Asia and other countries.

KL Seating has introduced advanced production equipment, such as automated stamping machine, automatic welding equipment, and automated assembly lines. We have our own R&D center and testing center, as well as various high-precision testing equipment and the seat vibration test bench. Meanwhile,we have obtained more than 30 patents for our seats. We have a comprehensive quality management system and have passed the ISO9001:2015 quality system certification, CE certification and various environmental certifications.

KL Seating has cooperated with key provincial universities in Jiangxi Province for researching and developing the luxury suspensions. And also has been awarded honors such as High Tech Enterprise, Provincial Specialized, refined and innovative enterprises, and Nanchang Technology Center Enterprise. And we have passed the Certificates of Environmental management system and occupational health and safety management system.

KL Seating adheres to the corporate value of customer first, teamwork, innovation, passion, honest, and dedicated, trying to provide customers with comfortable and safe seats, and striving to become the global professional seat designer and manufacturer!



KL Seating®

青林座椅 成为全球专业的座椅设计和制造商

Main Market **主要市场**



**为客户提供座椅解决方案** SEATING SOLUTIONS DESIGNED FOR CUSTOMERS

**工程机械**  
Construction



**农业机械**  
Agricultural

**OEM**

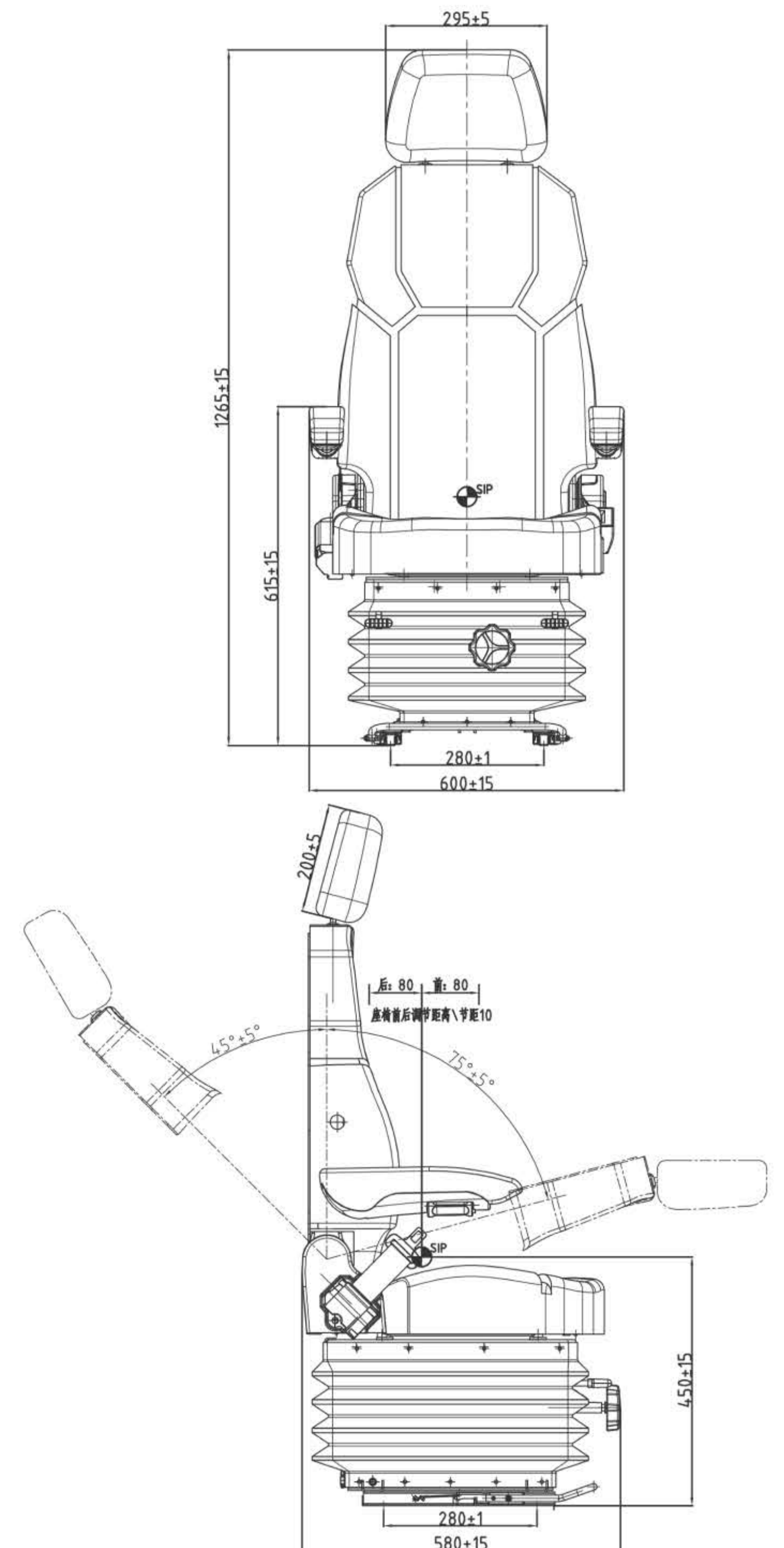
**园林**  
Garden



**叉车**  
Forklift

工程机械系列/Construction Series

# KL02



## STANDARD FEATURES

**Adjustable Backrest  
With tilt adjustment**

**Fore/aft Adjustment:  
190mm ,Each step 10mm**

**Weight Adjustment:  
50-130KG**

**Mechanical Suspension Stroke:  
70mm**

## 标准参数

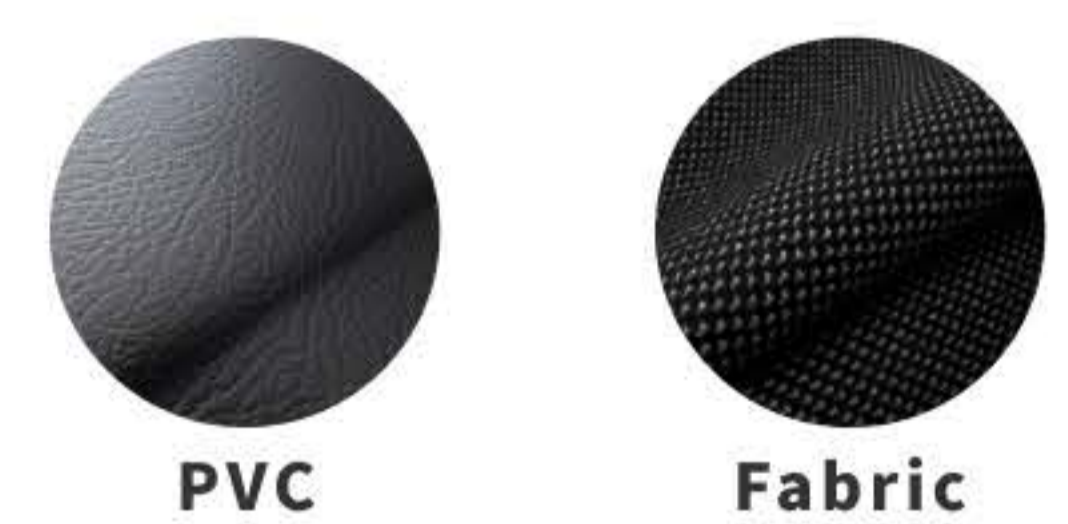
靠背可调  
带倾角调

前后调节距离:  
行程190mm, 调节间距10mm

体重调节范围:  
50-130KG

悬浮减震行程:  
70mm

## Material 材质



## Cover 颜色



可选附件



Suspension With Tilt Adjusting  
倾斜减震



Mechanical Suspension  
减震



Adjustable Armrest  
可调扶手



Headrest  
头枕

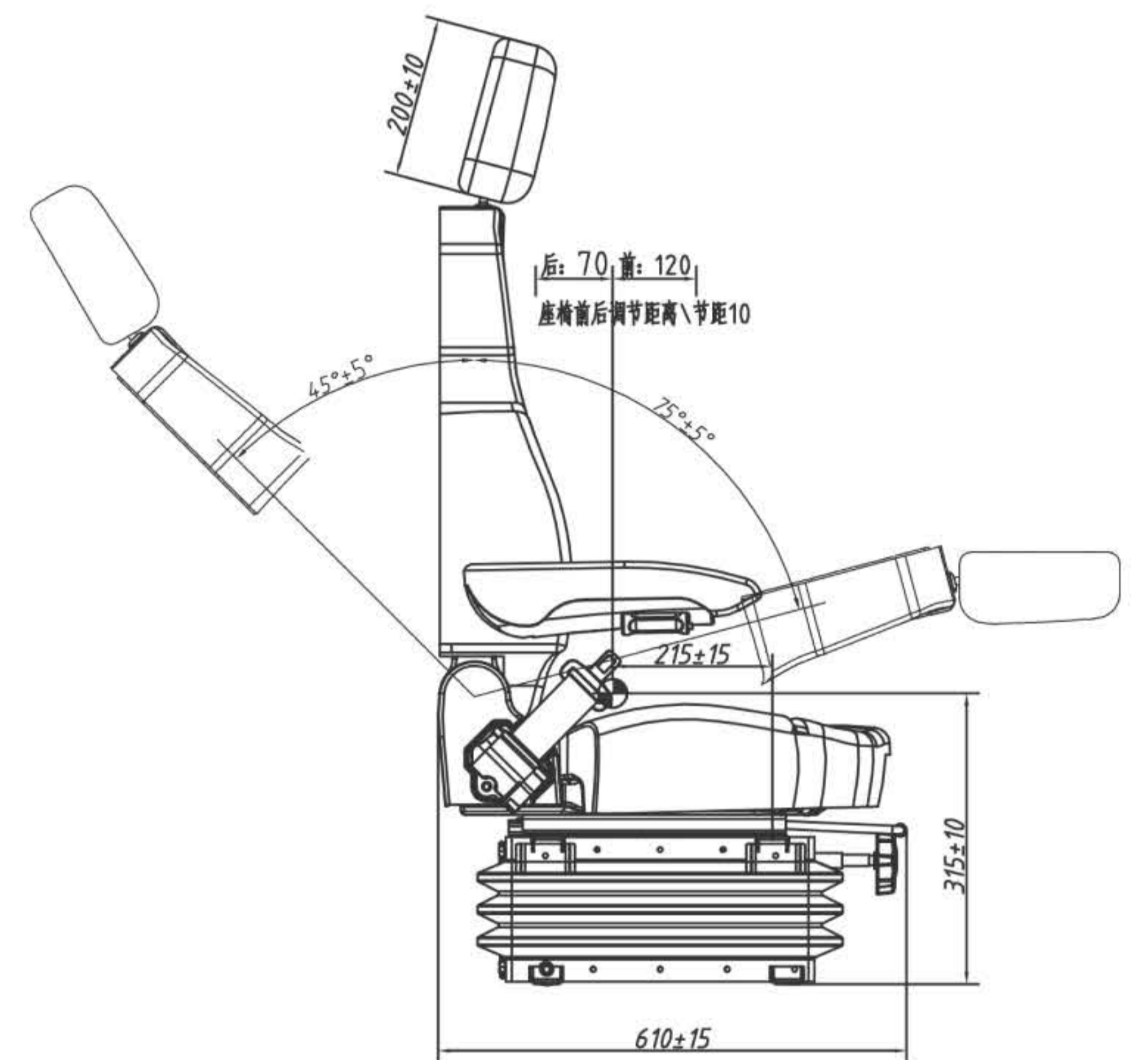
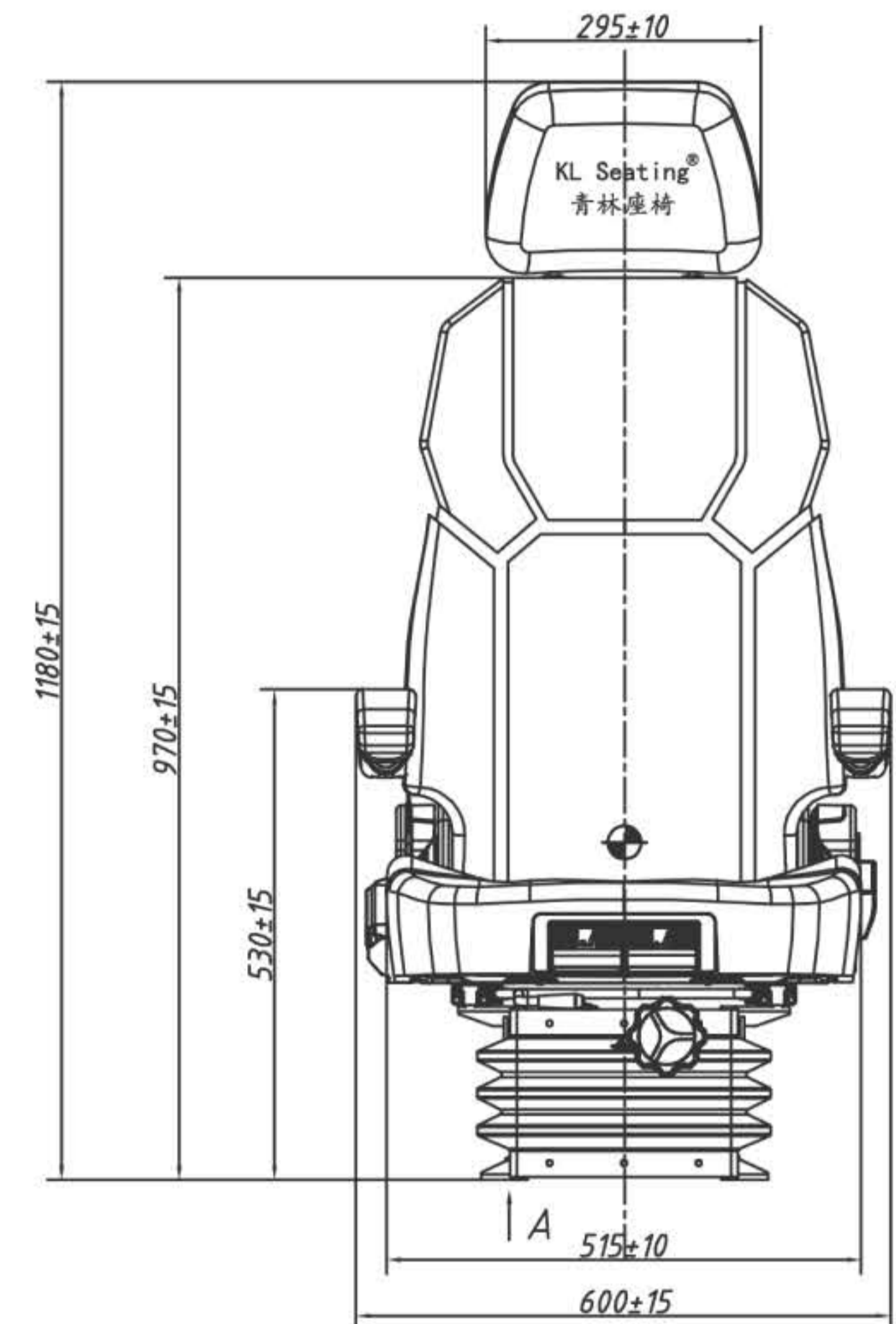


Slide  
滑轨



Seat Cushion Depth and Tilt Adjustment  
座垫座深调, 倾角调

# KL 02.10



## STANDARD FEATURES

**Adjustable Backrest  
Seat depth adjustment**

**Fore/aft Adjustment:  
190mm ,Each step 10mm**

**Weight Adjustment:  
50-130KG**

**Mechanical Suspension Stroke:  
70mm**

## 标准参数

靠背可调  
坐深调节

前后调节距离:  
行程190mm, 调节间距10mm

体重调节范围:  
50-130KG

悬浮减震行程:  
70mm

## Material 材质



## Cover 颜色



可选附件



Suspension With Tilt Adjusting  
倾斜减震



Mechanical Suspension  
减震



Adjustable Armrest  
可调扶手



Headrest  
头枕



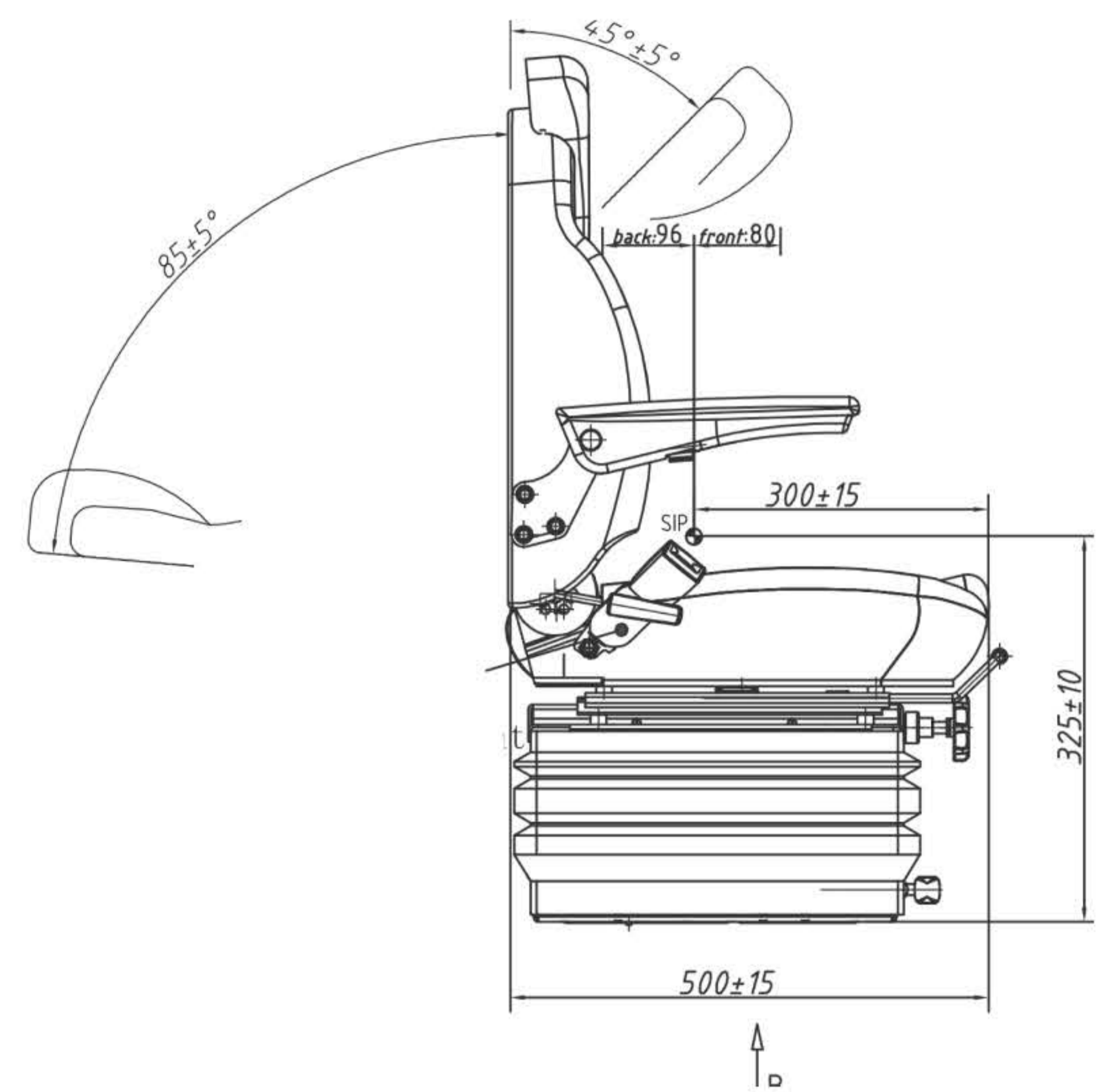
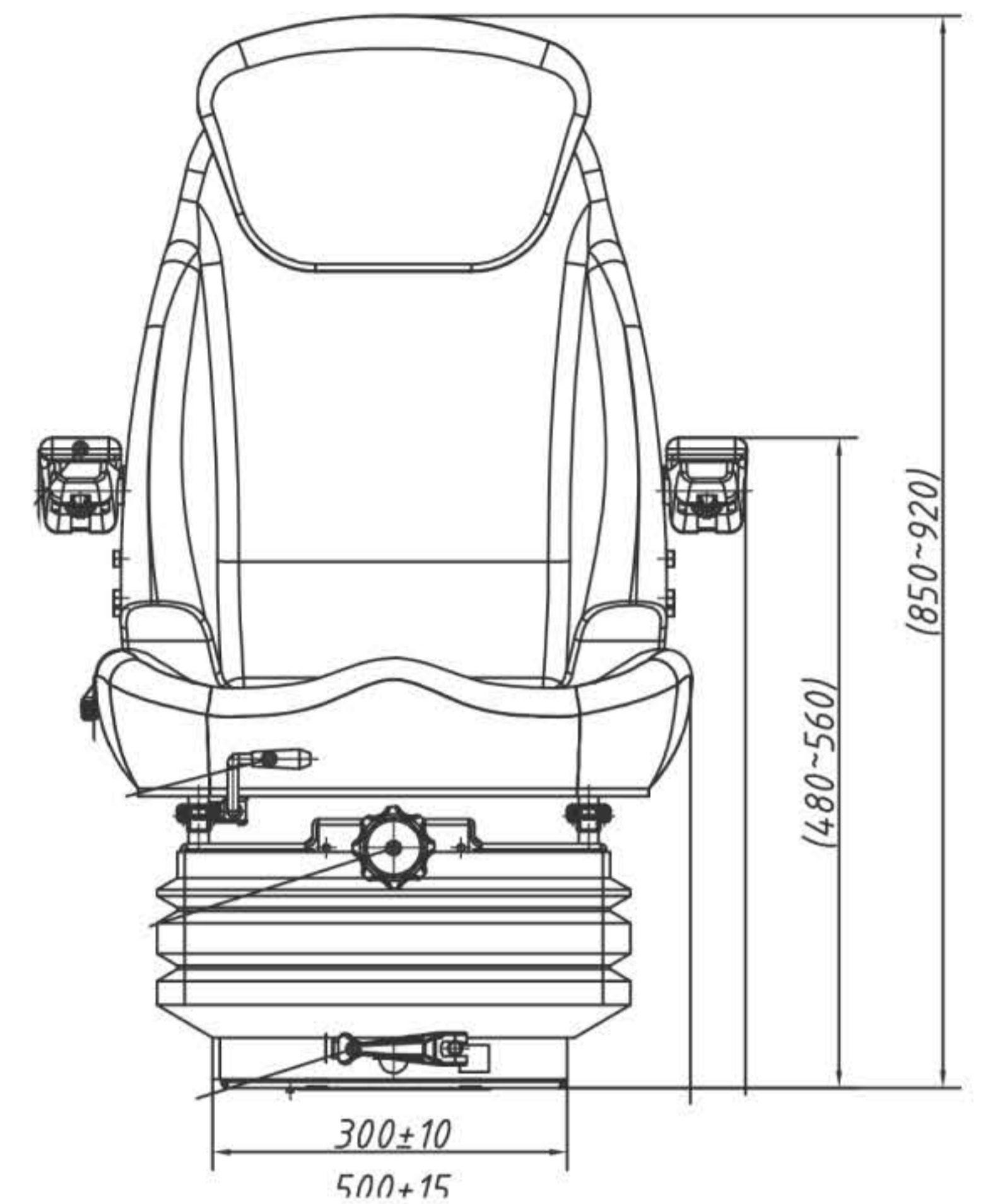
Slide  
滑轨



Seat Cushion Depth and Tilt Adjustment  
座垫座深调, 倾角调

工程机械系列/Construction Series

# YS 15



## STANDARD FEATURES

**Adjustable Backrest**

**Fore/aft Adjustment:**  
176mm ,Each step 16mm

**Weight Adjustment:**  
50-130KG

**Suspension stroke:**  
40-110mm

## 标准参数

靠背可调

前后调节距离:  
行程176mm, 调节间距16mm

体重调节范围:  
50-130KG

减震行程:  
40-110mm

## Material 材质



PVC



Fabric

## Cover 颜色



可选附件



Adjustable Armrest  
可调扶手



360° Swivel  
旋转机构



Mechanical Suspension  
机械减震器



Air Suspension  
气囊减震器



Armrest Control Box  
扶手箱

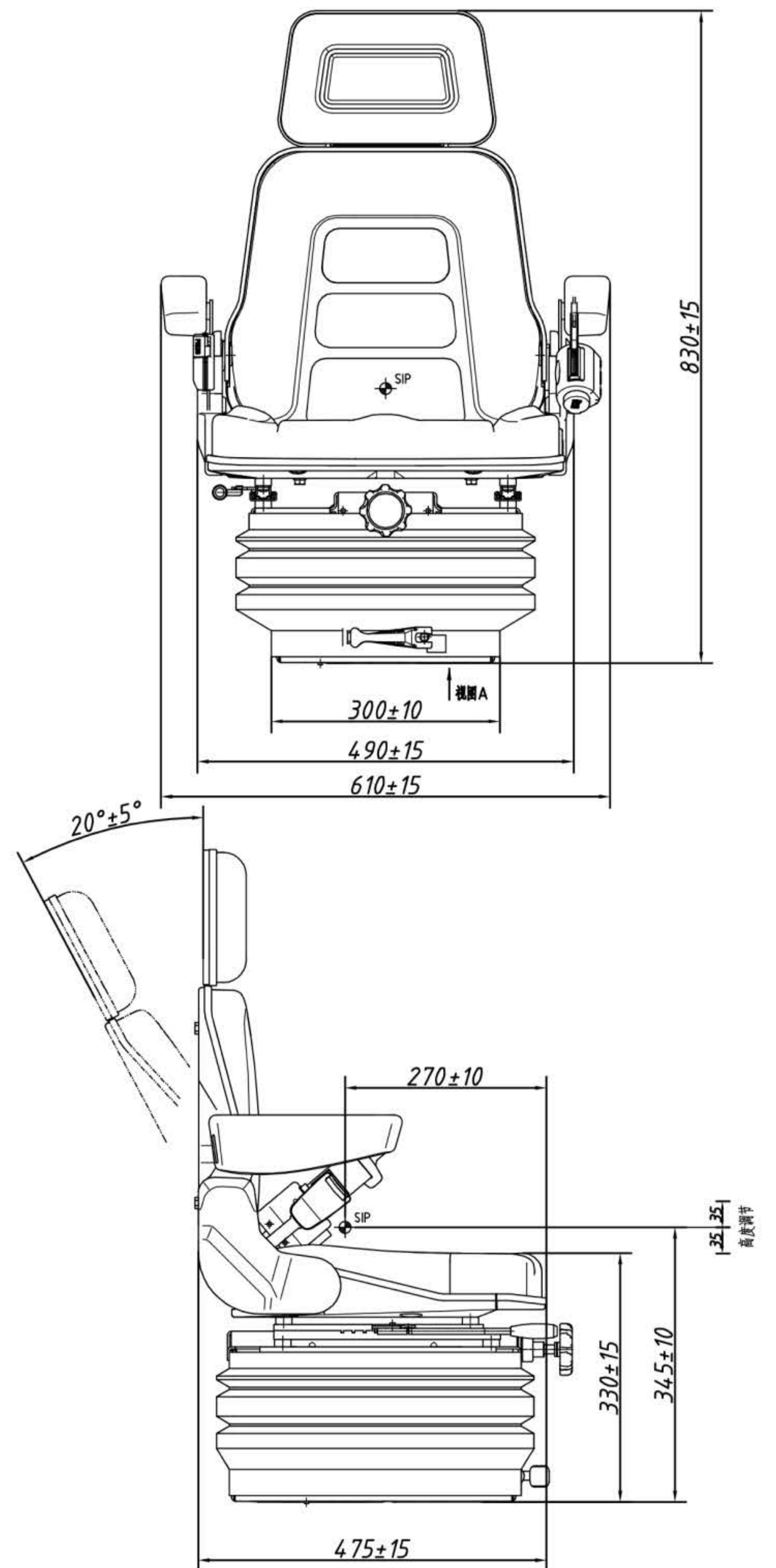


Heating Mat  
加热垫



Headrest  
头枕

# YS2-8



## STANDARD FEATURES

Adjustable Backrest

Fore/aft Adjustment:  
150mm ,Each step 15mm

Weight Adjustment:  
50-120KG

Suspension stroke:  
40-110mm

## 标准参数

靠背可调

前后调节距离:  
行程150mm, 调节间距15mm

体重调节范围:  
50-120KG

减震行程:  
40-110mm

## Material 材质



PVC



Fabric

## Cover 颜色



可选附件



Safety Belt  
安全带



Non-adjustable Armrest  
不可调扶手



Slide  
滑轨



Micro Switch  
电锁



Mechanical Suspension  
机械减震器

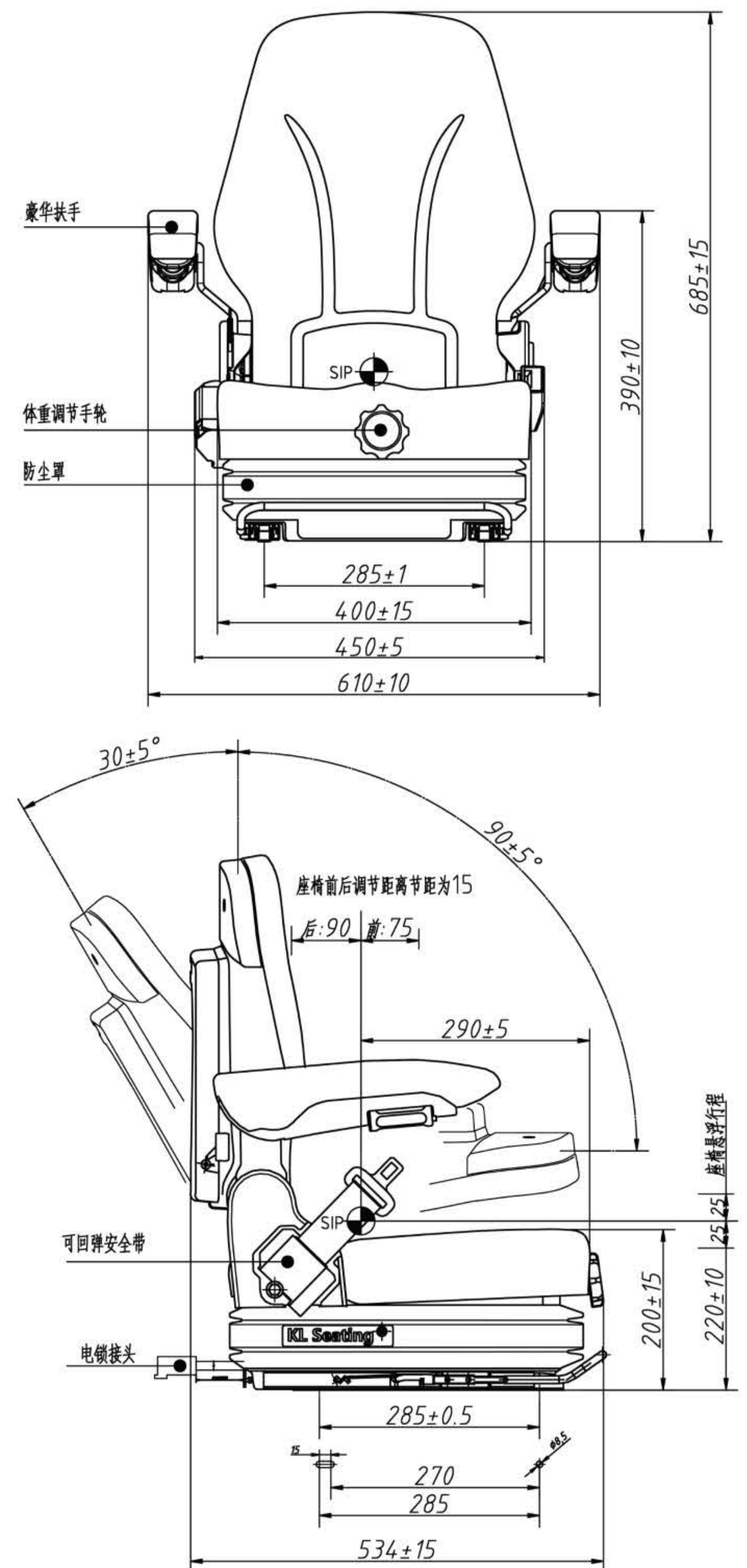


Mechanical Suspension  
机械减震器



工程机械系列/Construction Series

# KL 10



## STANDARD FEATURES

**Adjustable Backrest**

**Fore/aft Adjustment:**  
foreward 80mm, backward 80mm

**Weight Adjustment:**  
50-120KG

**Suspension stroke:**  
50mm

## 标准参数

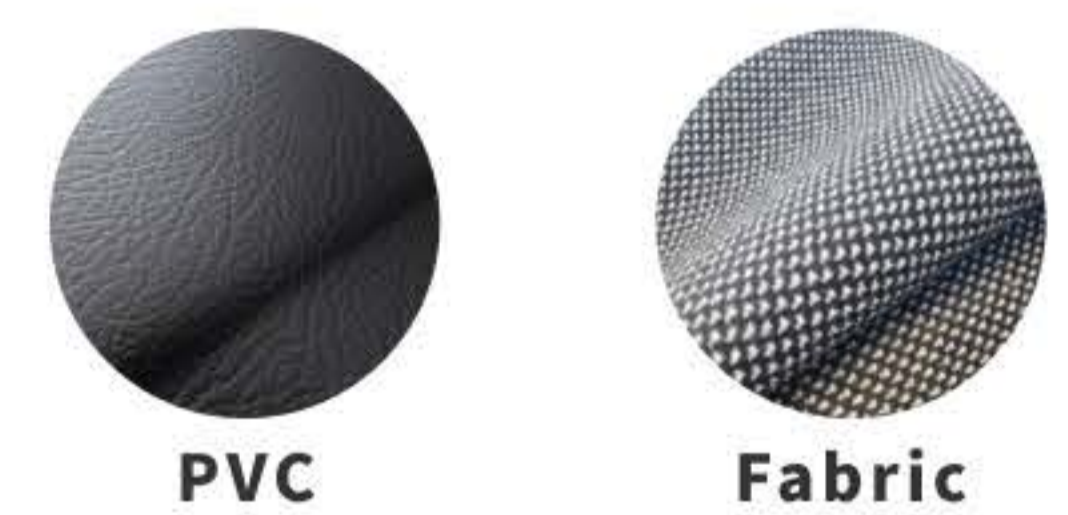
靠背可调

前后调节距离:  
前80mm, 后80mm

体重调节范围:  
50-120KG

座椅悬浮减震:  
50mm

## Material 材质



## Cover 颜色



可选附件



Safety Belt  
安全带



Adjustable Armrest  
可调扶手



Slide  
滑轨



Micro Switch  
电锁



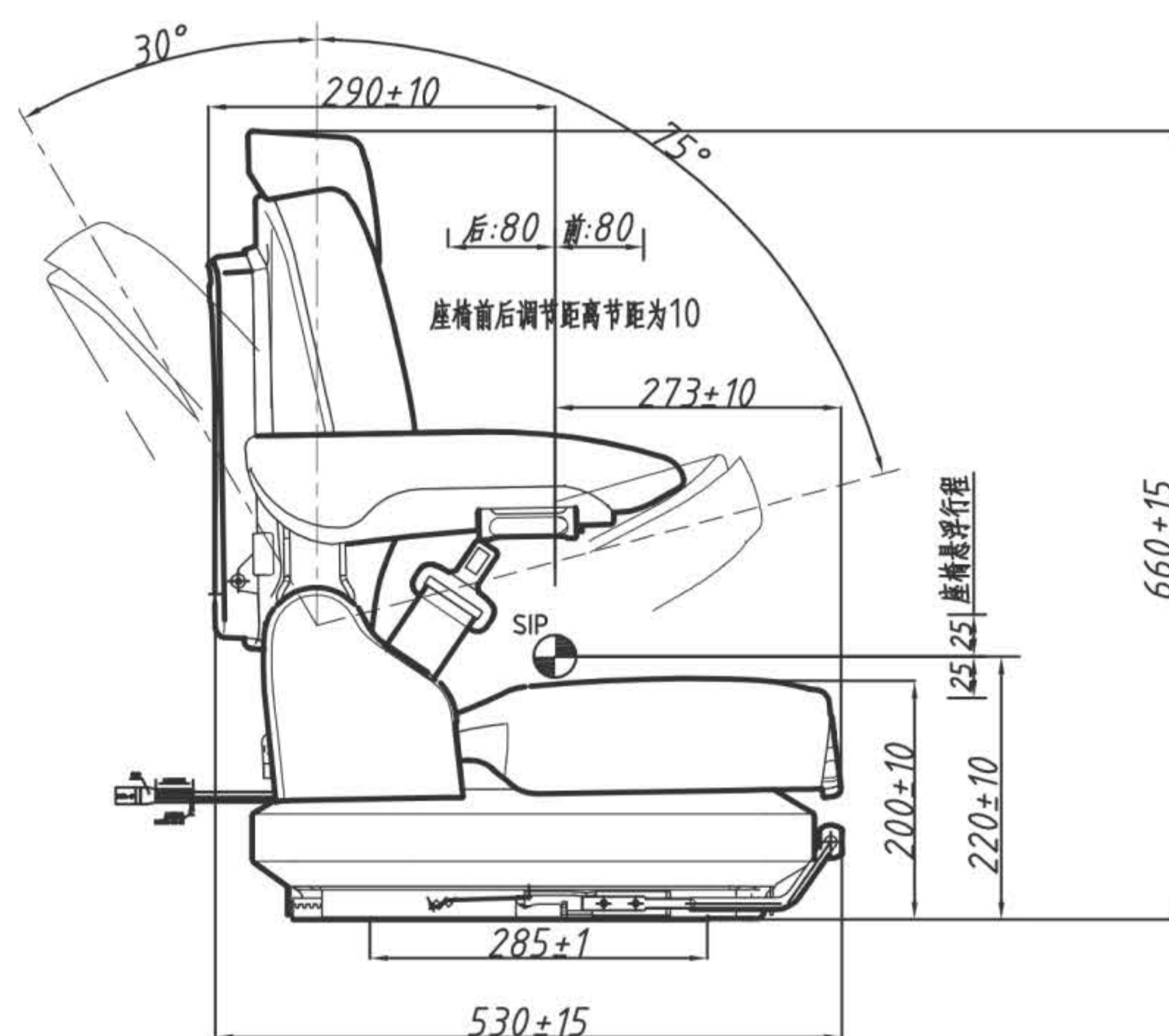
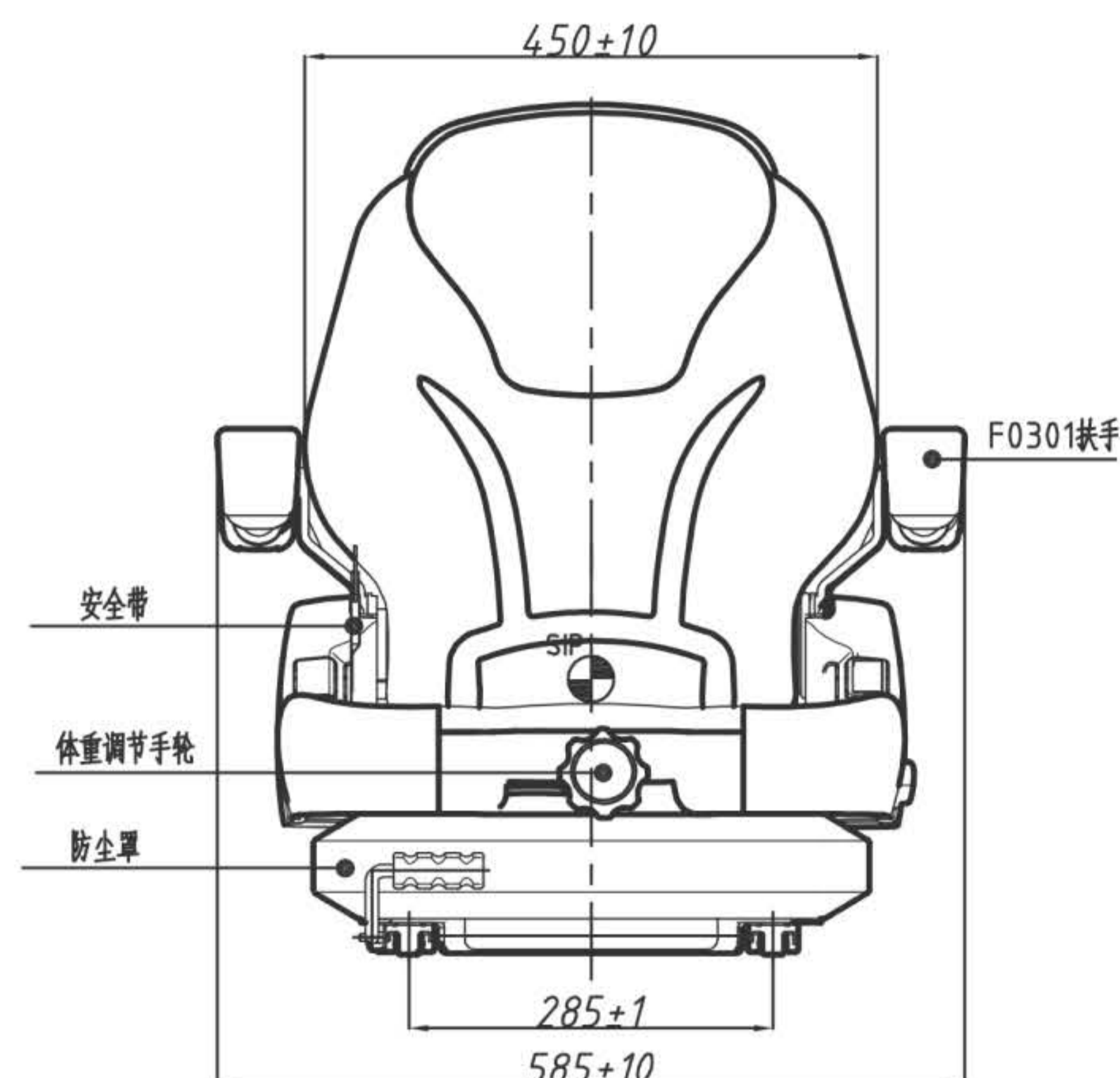
Mechanical Suspension  
机械减震器



Mechanical Suspension  
机械减震器

叉车系列/Forklift series

# KL01



## STANDARD FEATURES

**Adjustable Backrest**

**Fore/aft Adjustment:**  
foreward 80mm, backward 80mm

**Weight Adjustment:**  
50-130KG

**Mechanical Suspension Stroke:**  
50mm

## 标准参数

靠背可调

前后调节距离:  
前80mm, 后80mm

体重调节范围:  
50-130KG

悬浮减震行程:  
50mm

## Material 材质



## Cover 颜色



可选附件



Adjustable Armrest  
可调扶手



Slide  
滑轨



Mechanical Suspension  
机械减震器



Air Suspension  
气囊减震器



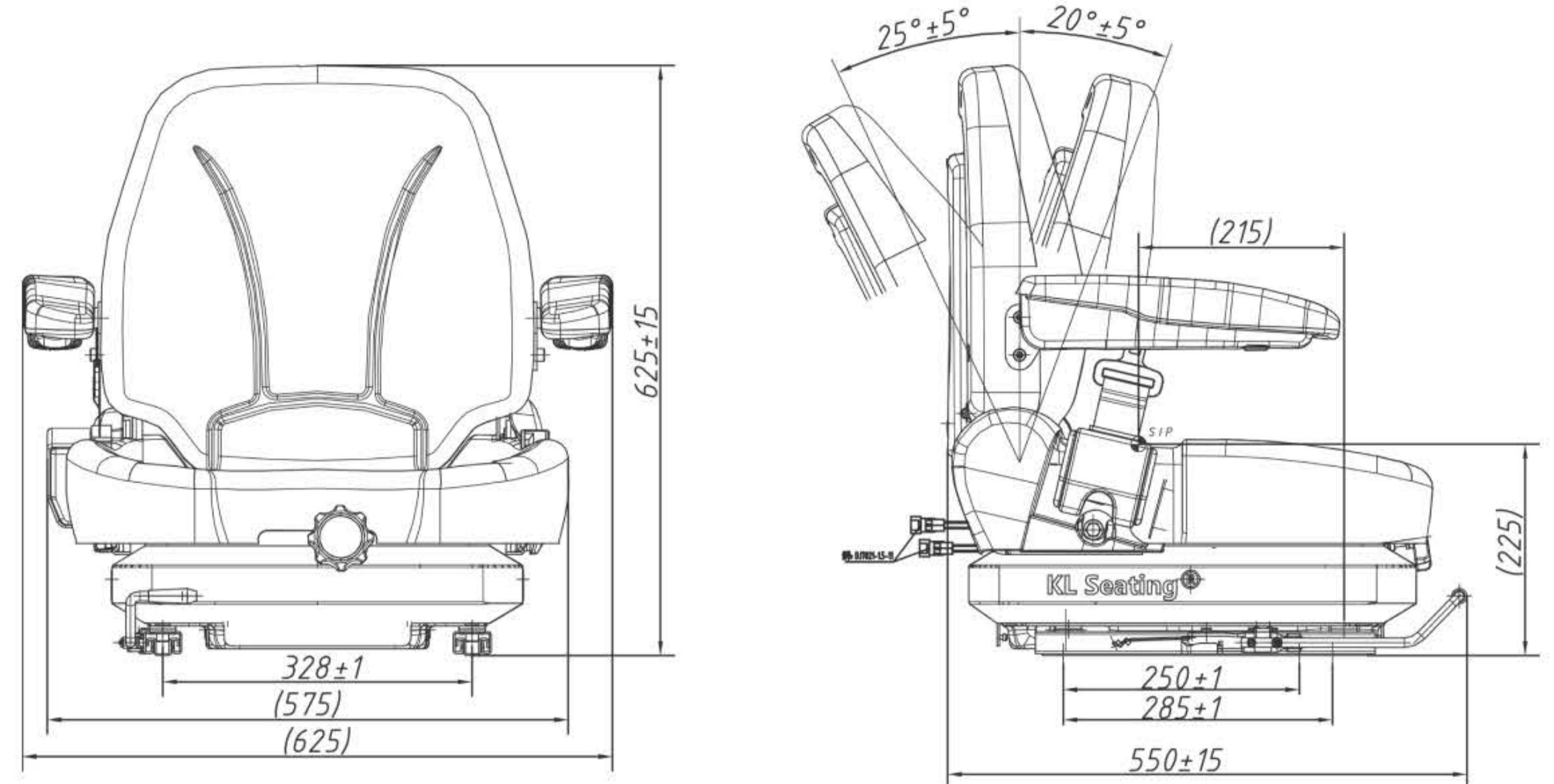
Armrest Control Box  
扶手箱



Headrest  
头枕

叉车系列/Forklift series

# KL11.20



## STANDARD FEATURES

Fore/aft Adjustment:  
160mm, forward 80mm,  
backward 80mm

## 标准参数

前后调节距离:  
160mm, 前80mm,  
后80mm

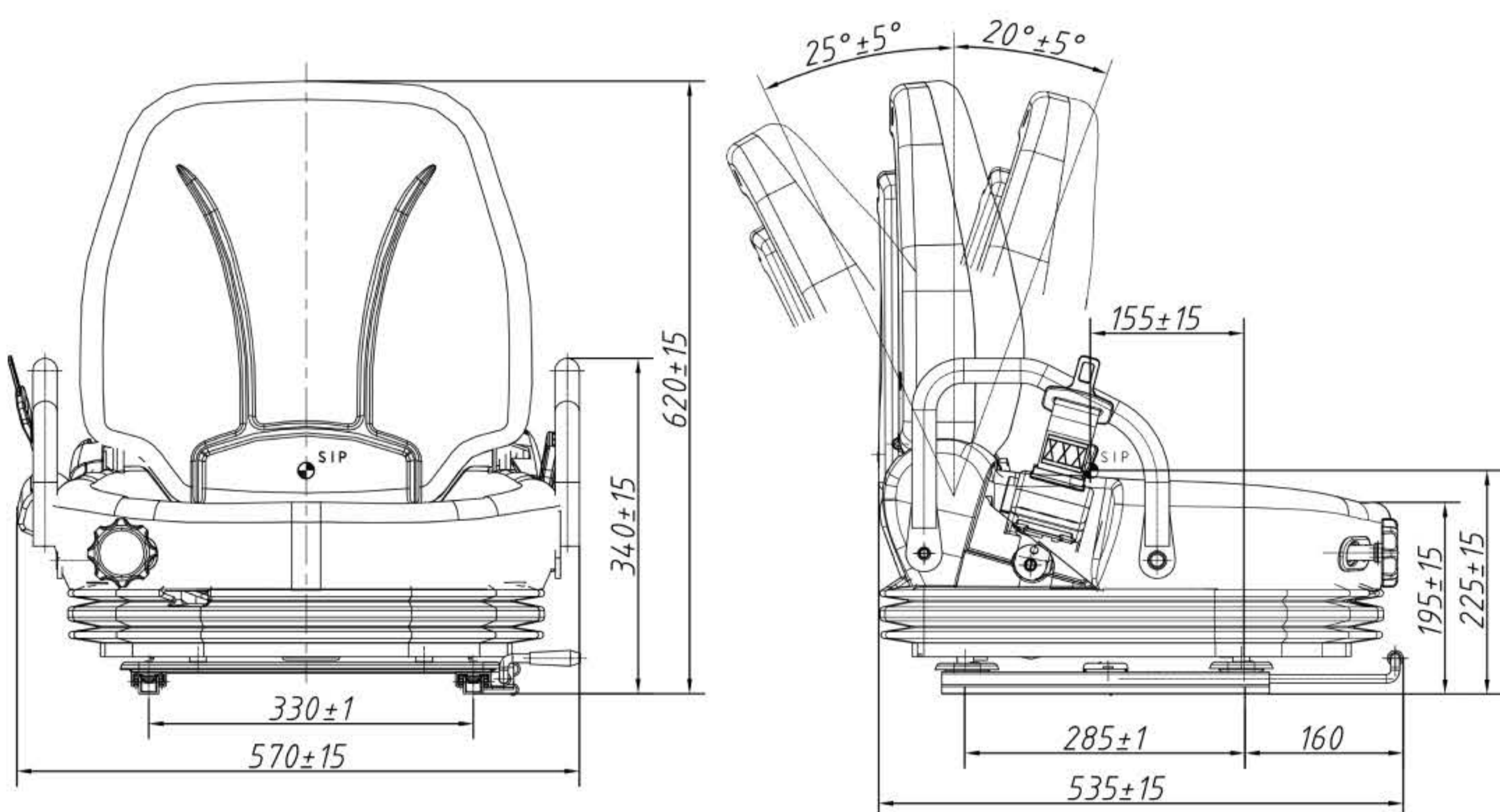
### Material 材质



### Cover 颜色



# KL 11



### Material 材质



### Cover 颜色



## STANDARD FEATURES

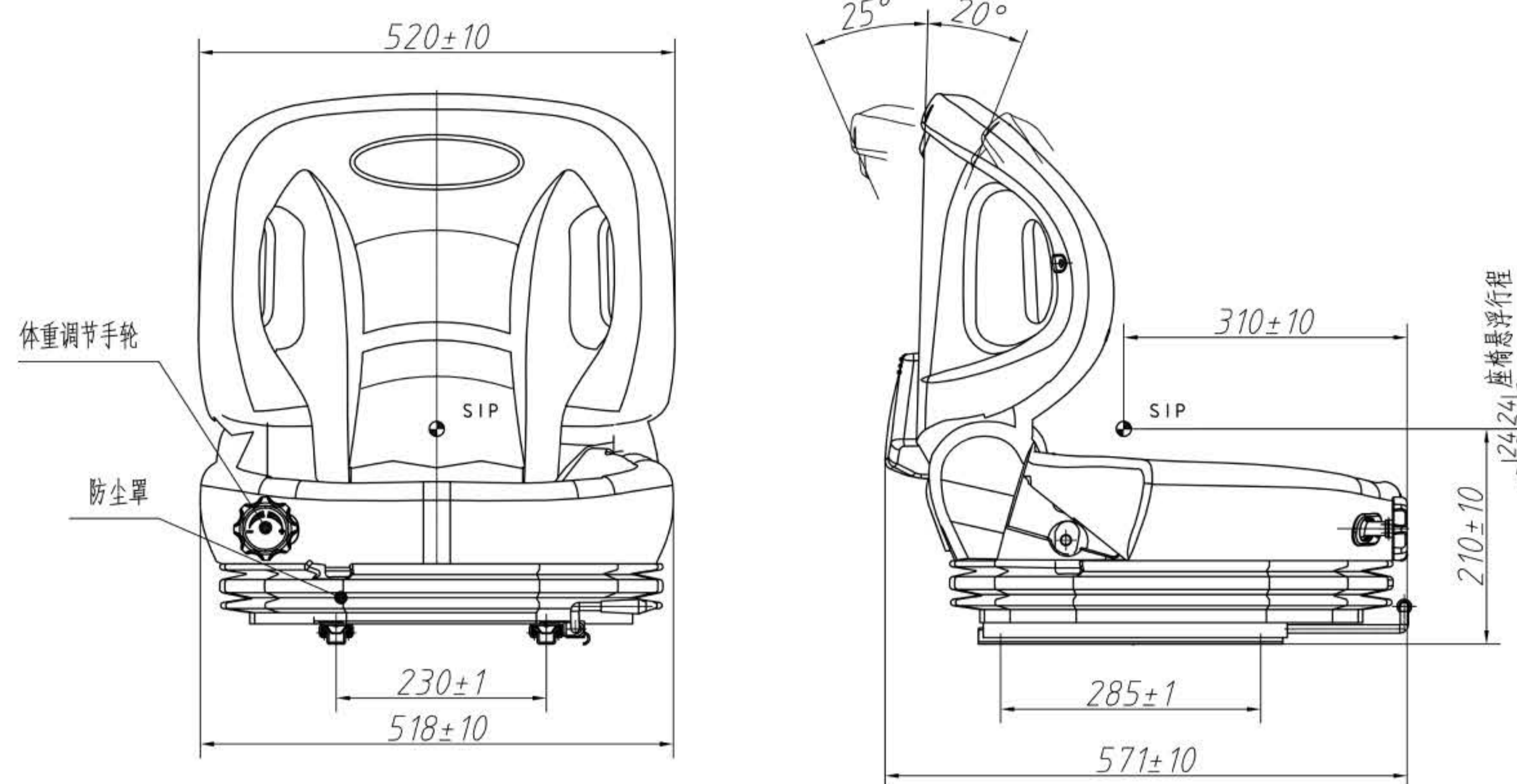
Fore/aft Adjustment:  
176mm, forward 80mm,  
backward 96mm

## 标准参数

前后调节距离:  
176mm, 前80mm,  
后96mm

叉车系列/Forklift series

# YY53



## STANDARD FEATURES

## 标准参数

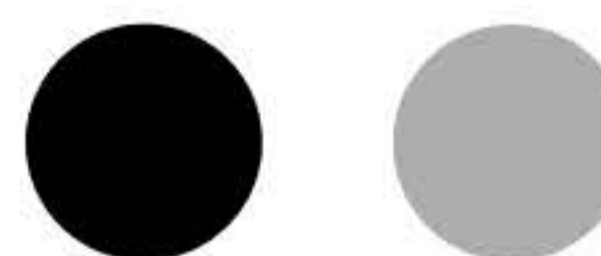
Weight Adjustment: 40-120KG  
Suspension stroke: 48mm

体重调节范围: 40-120KG  
座椅悬浮减震: 48mm

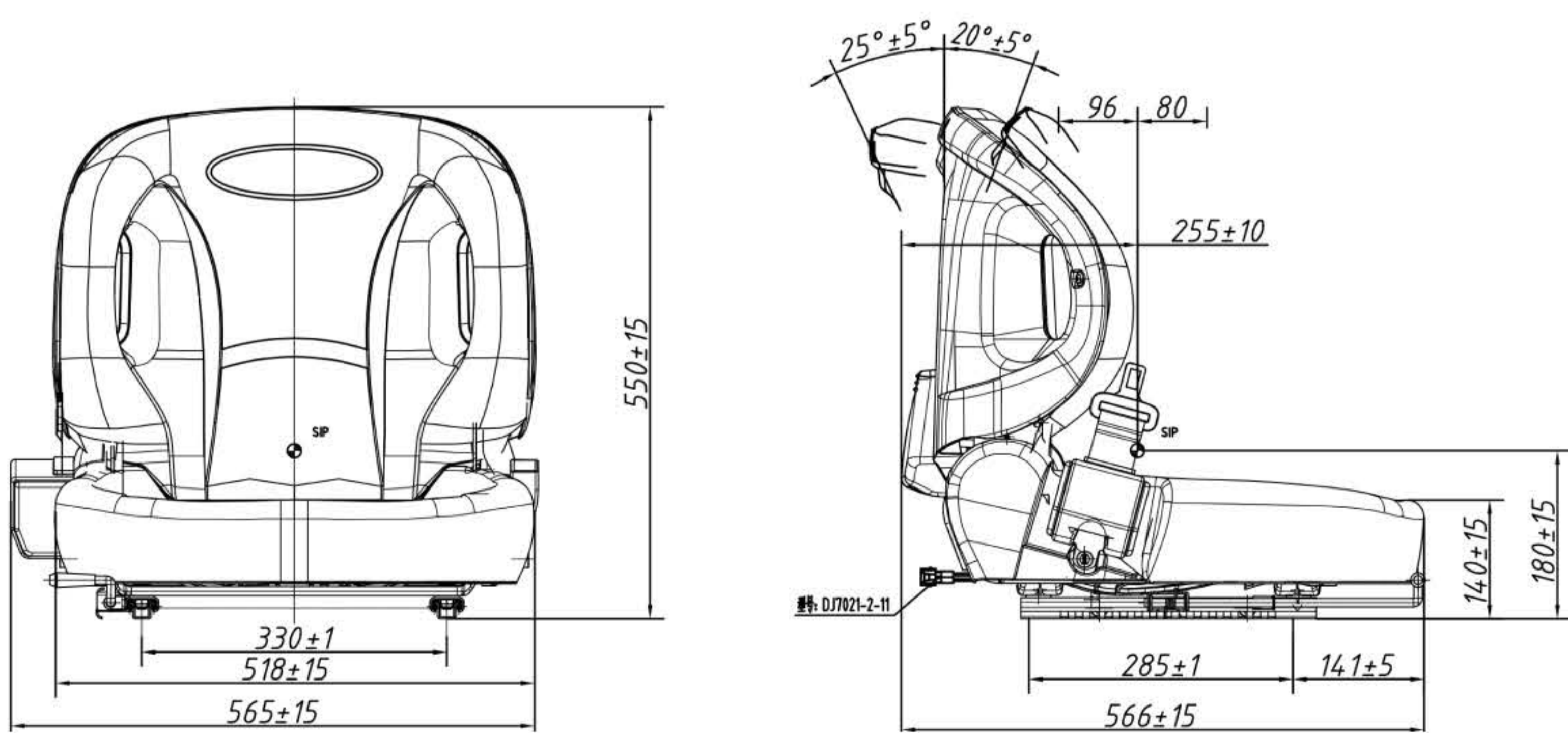
### Material 材质



### Cover 颜色



# YY51



### Material 材质



### Cover 颜色



## STANDARD FEATURES

## 标准参数

Fore/aft Adjustment: 176mm

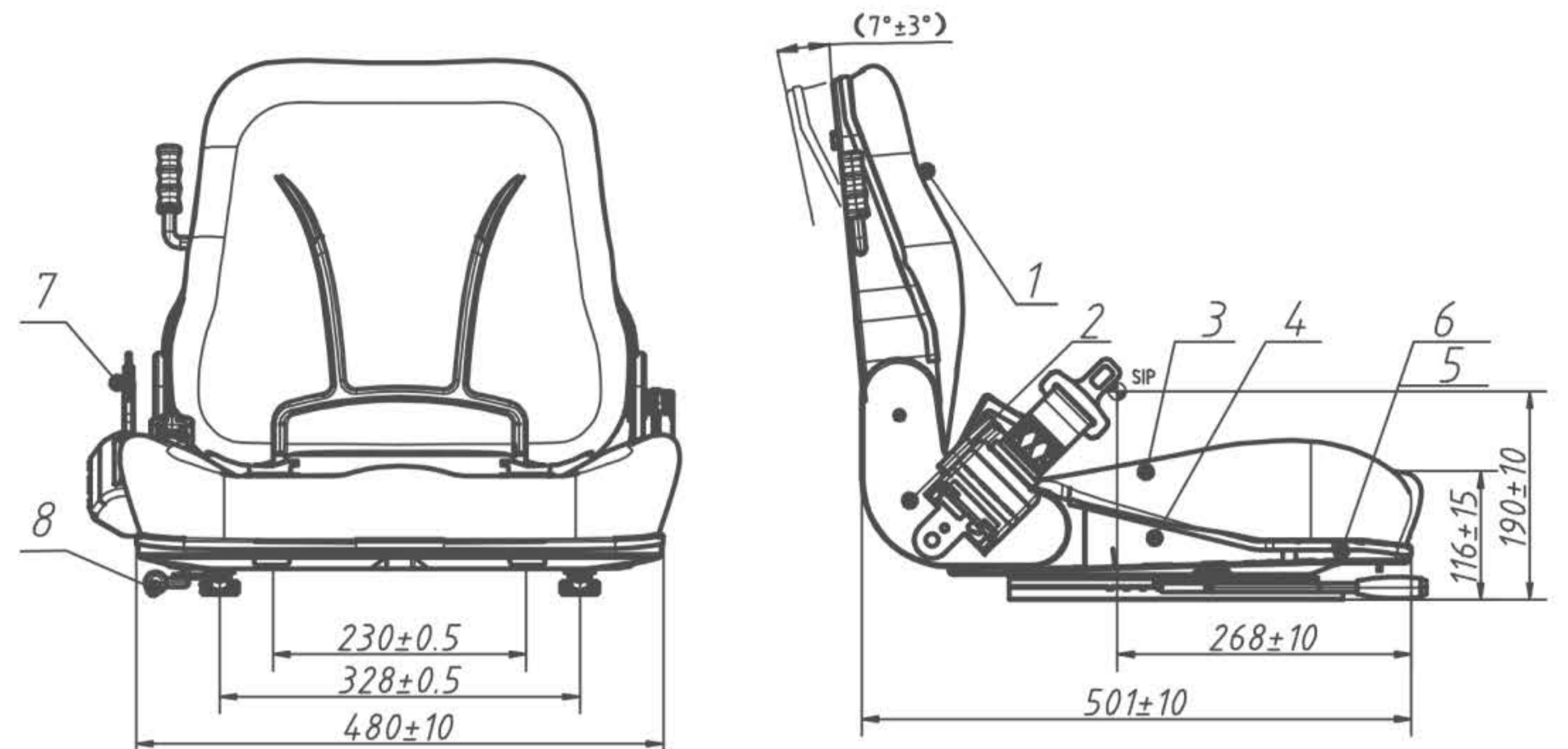
前后调节距离: 176mm

The backrest angle adjust:  
forward 20°±5°, afterward 25°±5°

靠背角度调节:  
前20°±5°, 后25°±5°

叉车系列/Forklift series

# YL01



## STANDARD FEATURES

Adjustable Backrest

Fore/aft adjust:  
Forward 90mm, afterward 60mm

## 标准参数

靠背可调  
前/后调节:  
前90mm, 后60mm

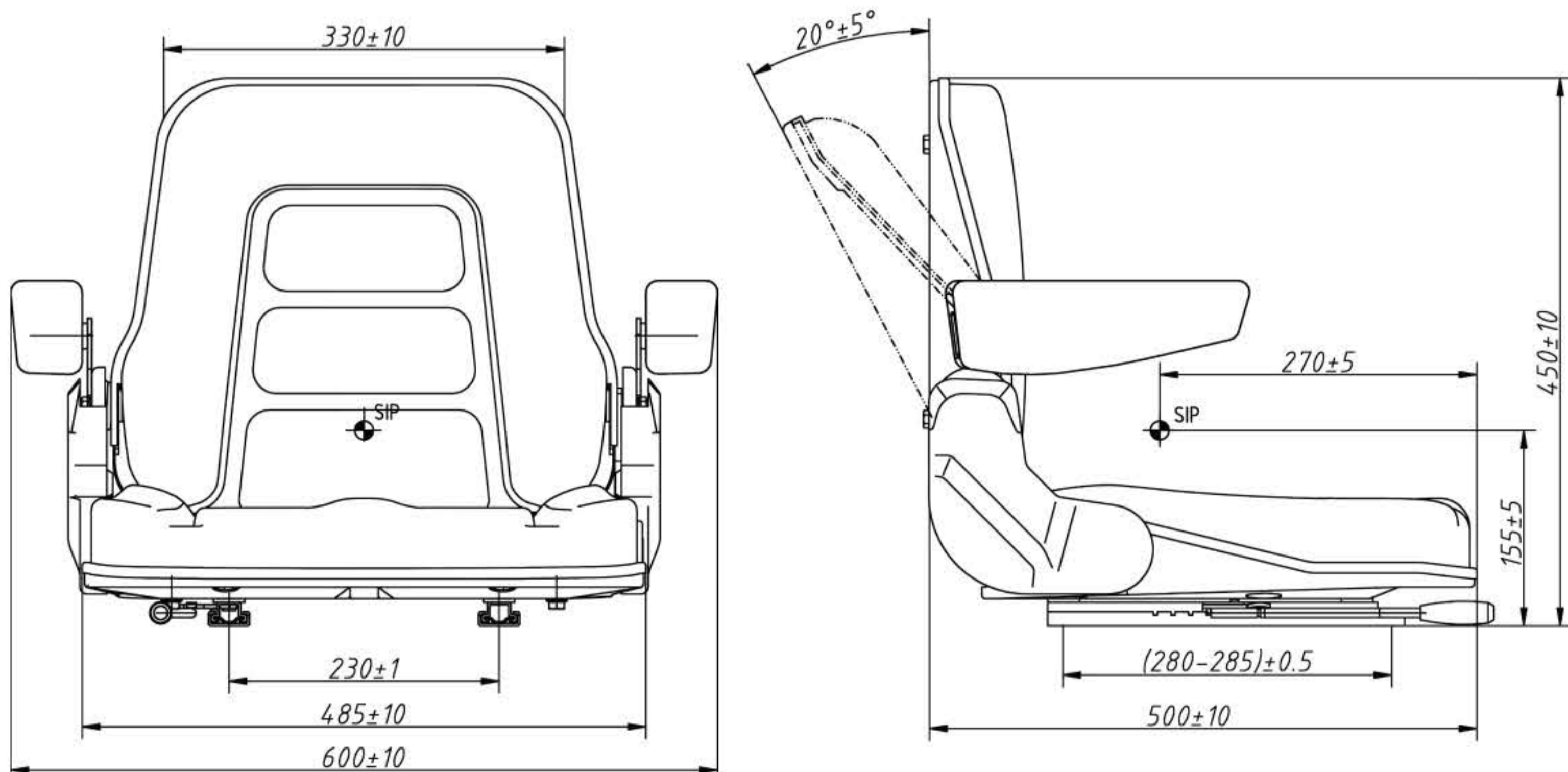
### Material 材质



### Cover 颜色



# YS02



### Material 材质



### Cover 颜色



## STANDARD FEATURES

The backrest angle adjust: Fold forwardly

Fore/aft adjust:  
Forward 90mm, afterward 60mm

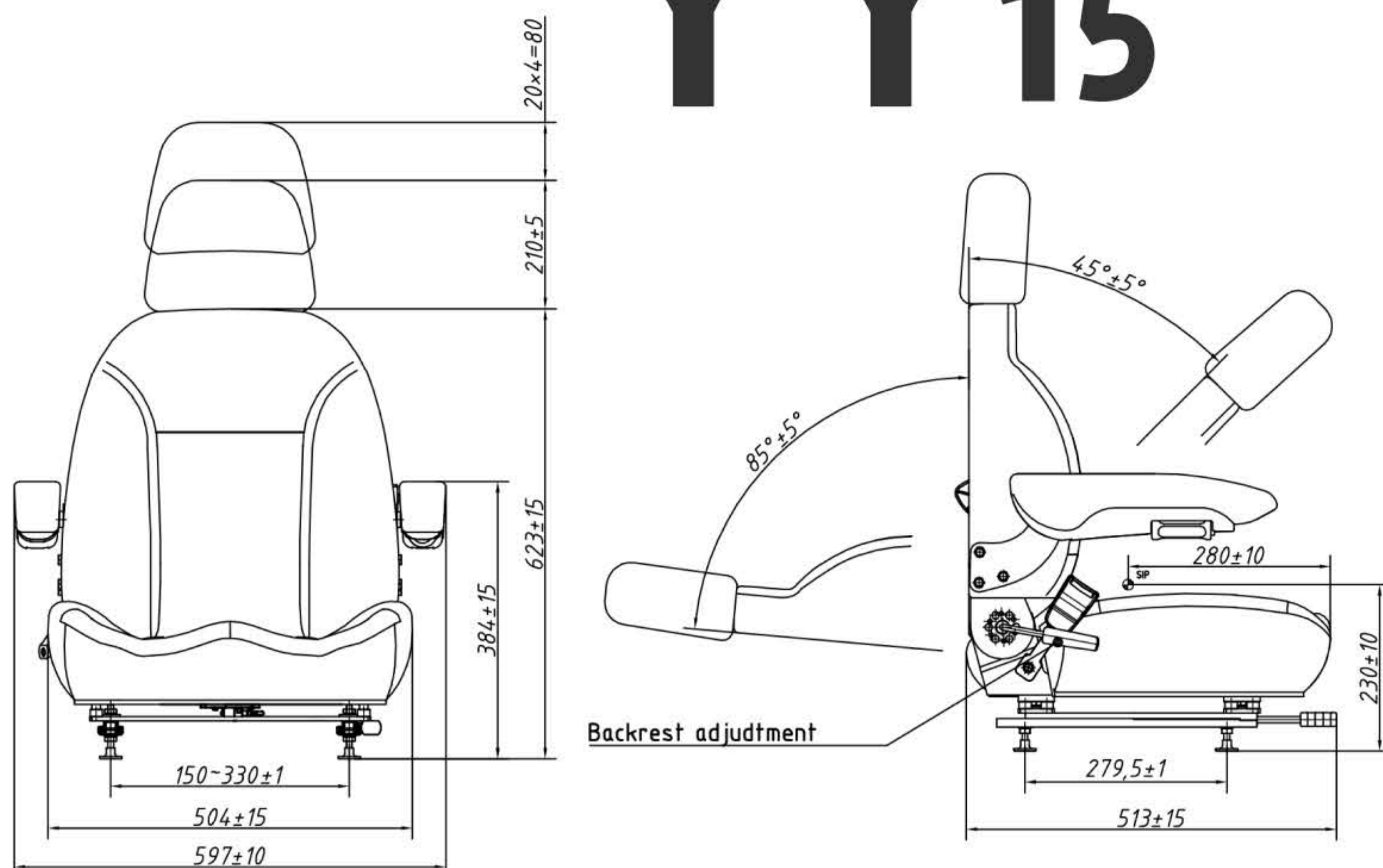
## 标准参数

靠背角度调节: 向前折叠

前/后调节:  
前90mm, 后60mm

园林系列/Garden series

# YY 15



## STANDARD FEATURES

Adjustable Backrest

Fore/aft Adjustment:  
160mm ,Each step 10mm

Cut and Sewn cover with mixed colors

## 标准参数

靠背可调

前后调节距离:  
行程160mm, 间距10mm

带不同颜色的包制面料

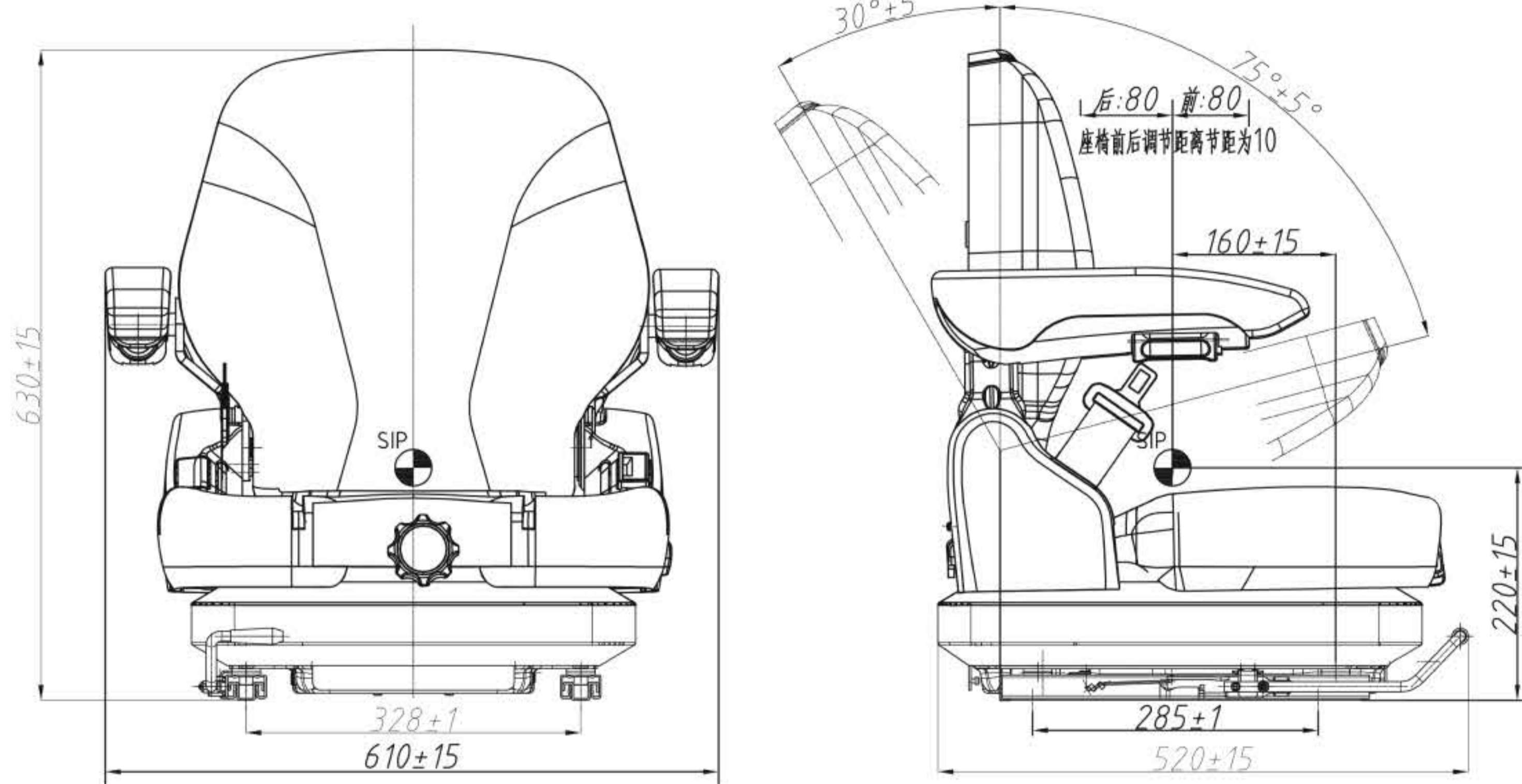
### Material 材质



### Cover 颜色



# KL 01包制



### Material 材质



### Cover 颜色



## STANDARD FEATURES

Weight Adjustment: 50-130KG

Mechanical Suspension Stroke: 50mm

Cut and Sewn cover with mixed colors

## 标准参数

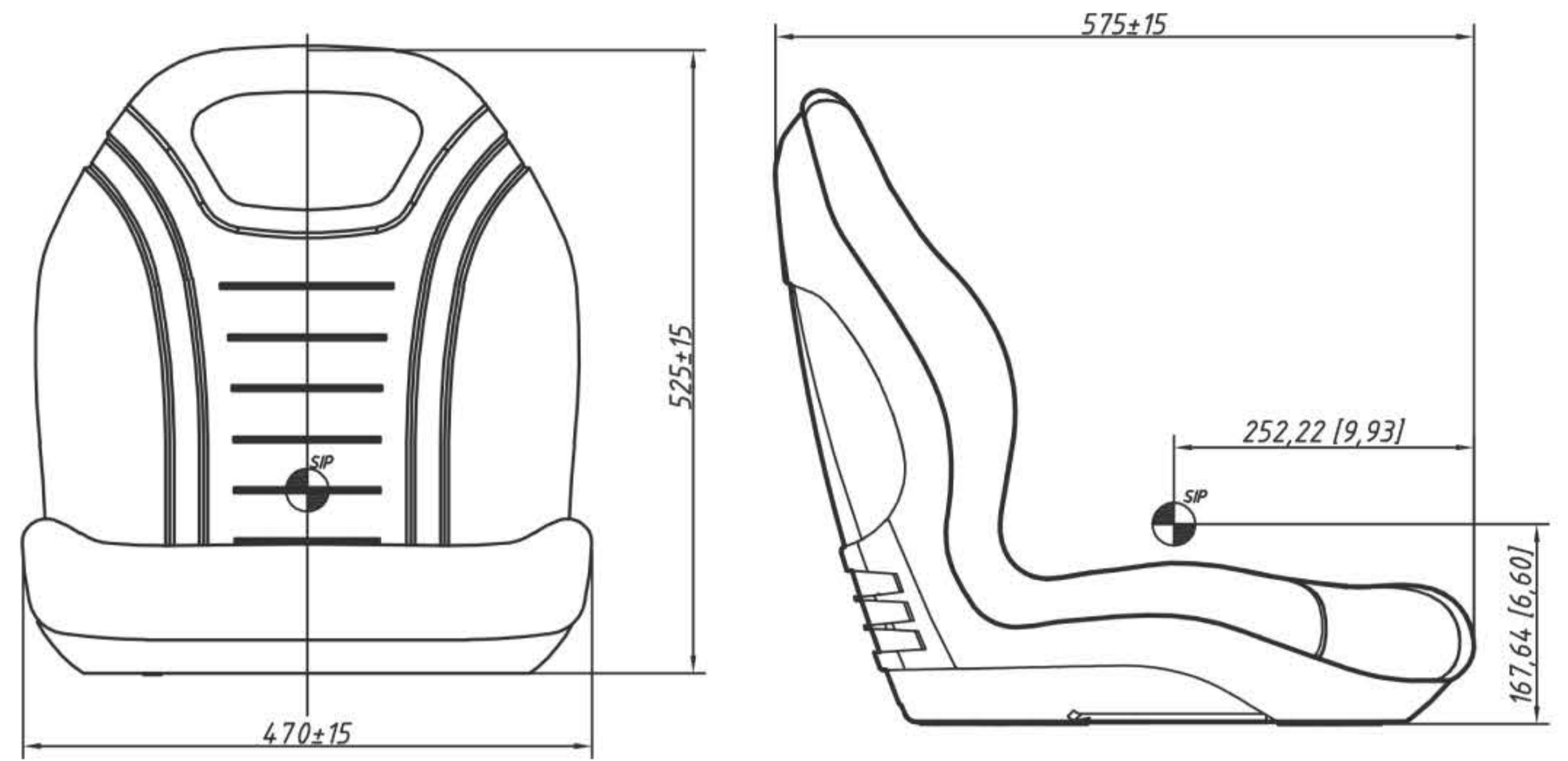
体重调节范围: 50-130KG

悬浮减震行程: 50mm

带不同颜色的包制面料

园林系列/Garden series

# YY70



## STANDARD FEATURES

Using Glue to Attach The Plastic Shell  
Bottom Multihole

## 标准参数

粘胶工艺  
底部多孔设计

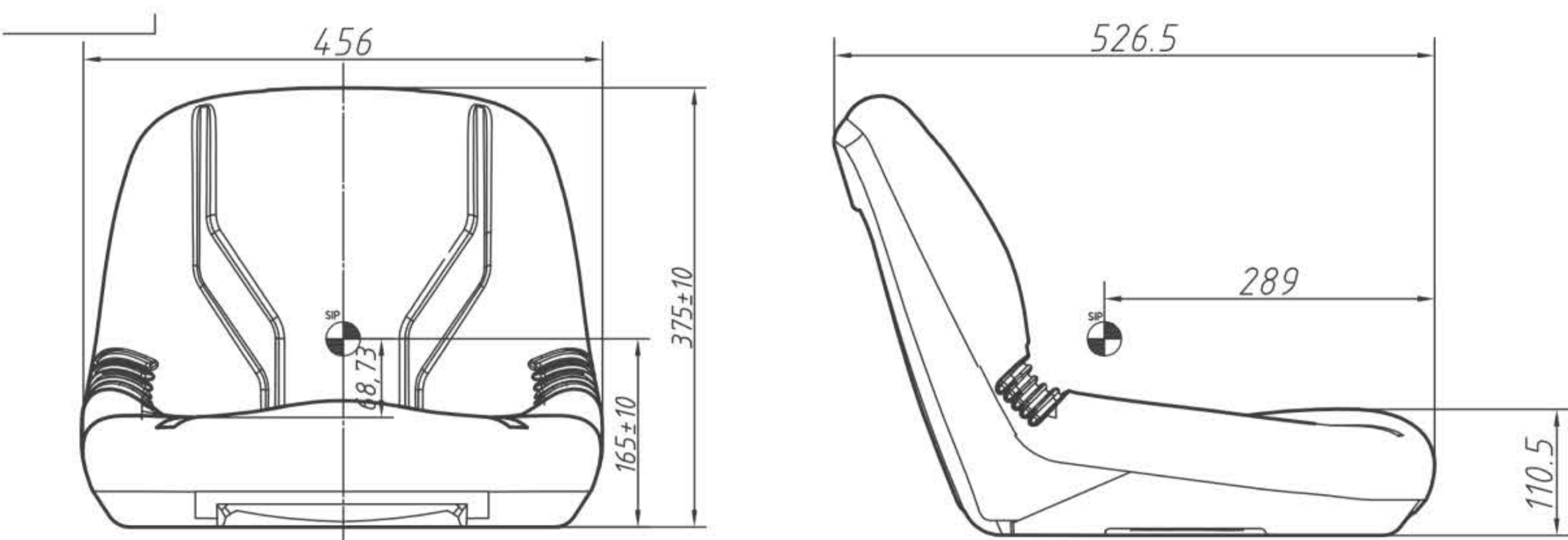
### Material 材质



### Cover 颜色



# YY61



### Material 材质



### Cover 颜色



## STANDARD FEATURES

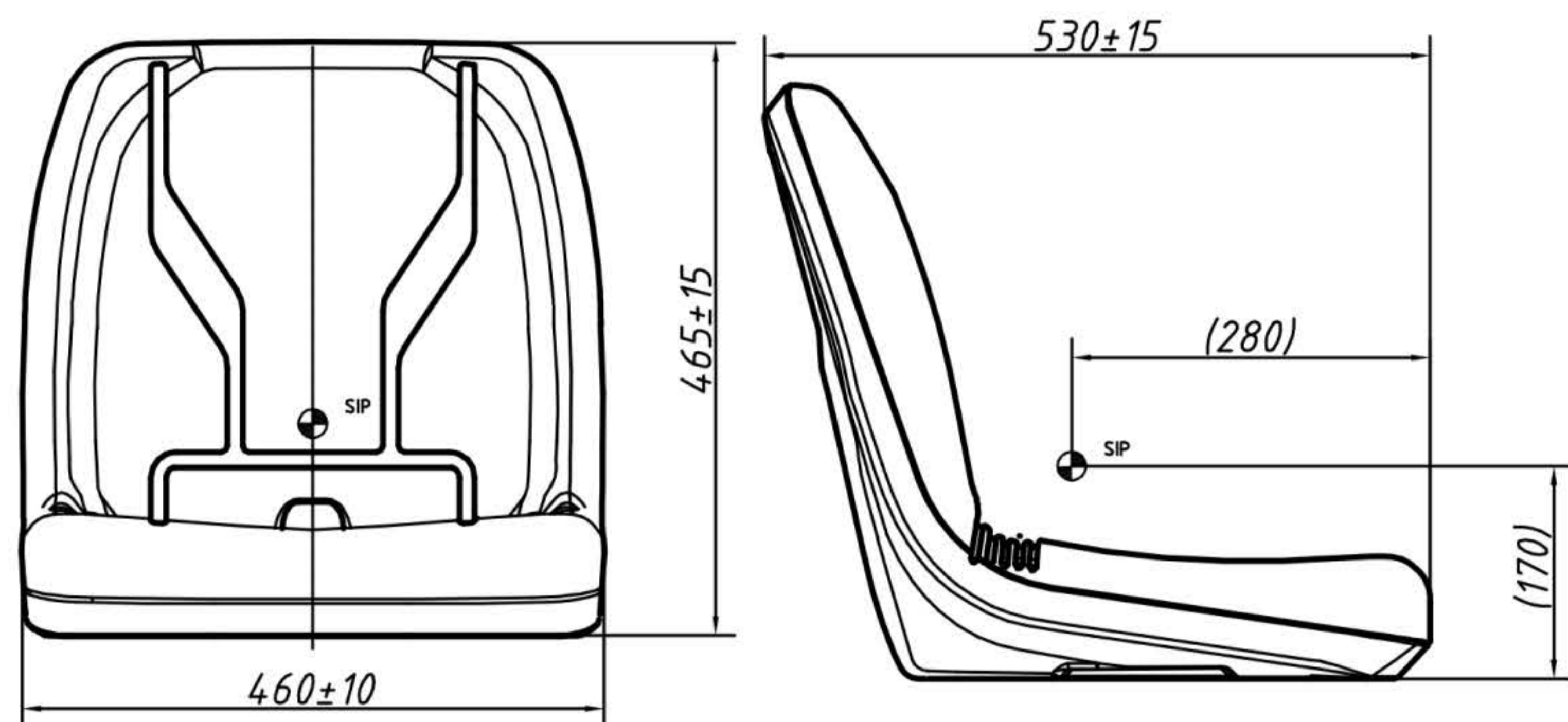
Cut and Sewn Cover  
Different Color Stitching

## 标准参数

包制面料  
不同颜色拼接

园林系列/Garden series

# YY60



## STANDARD FEATURES

Using Glue to Attach The Plastic Shell  
Bottom Multihole

## 标准参数

粘胶工艺  
底部多孔设计

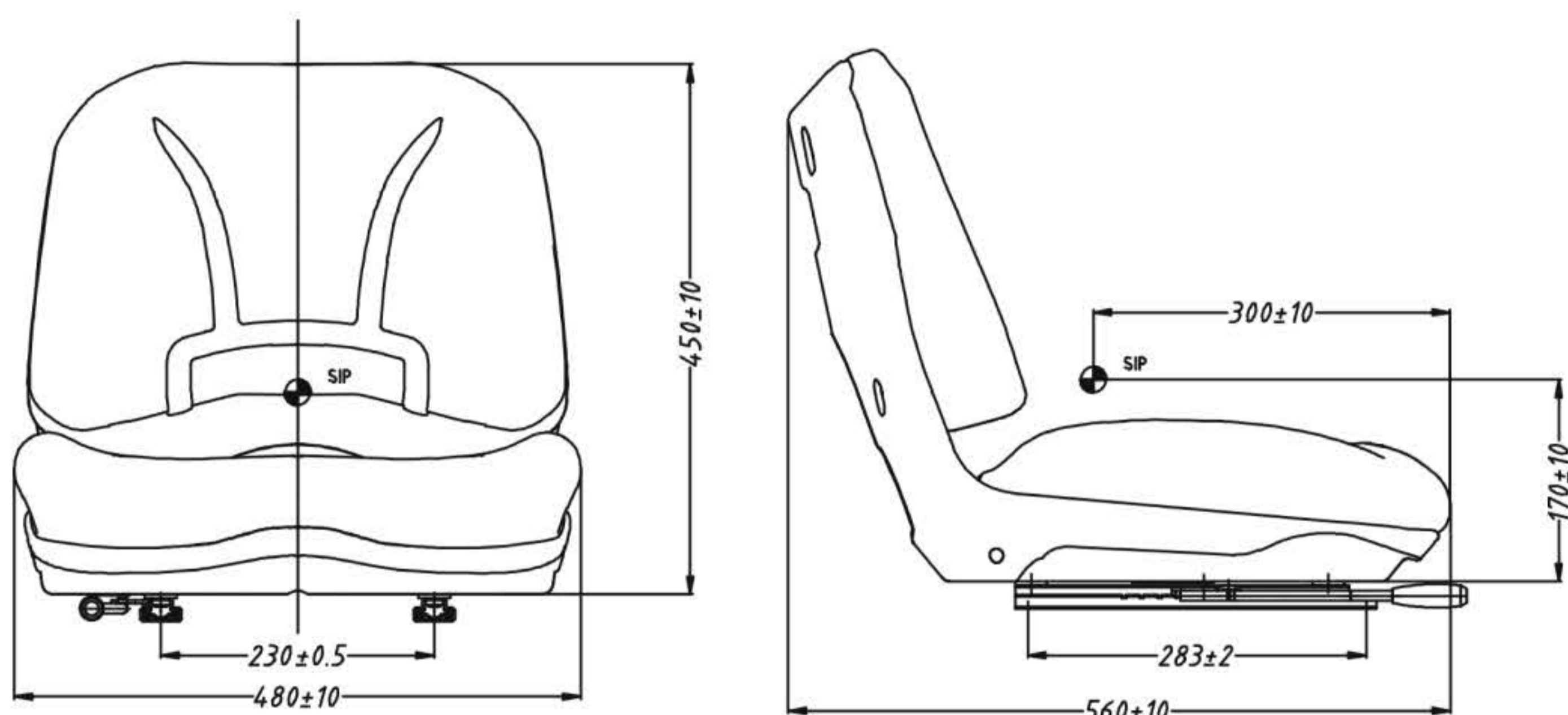
### Material 材质



### Cover 颜色



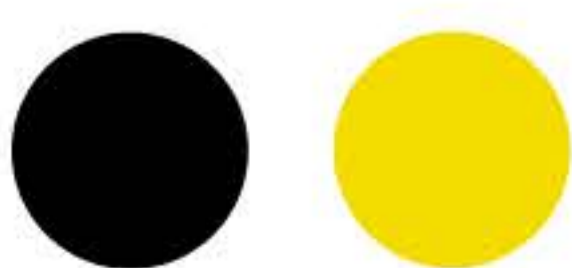
# KL 12



### Material 材质



### Cover 颜色



## STANDARD FEATURES

With Plastic Shell  
Not Easy to Rust

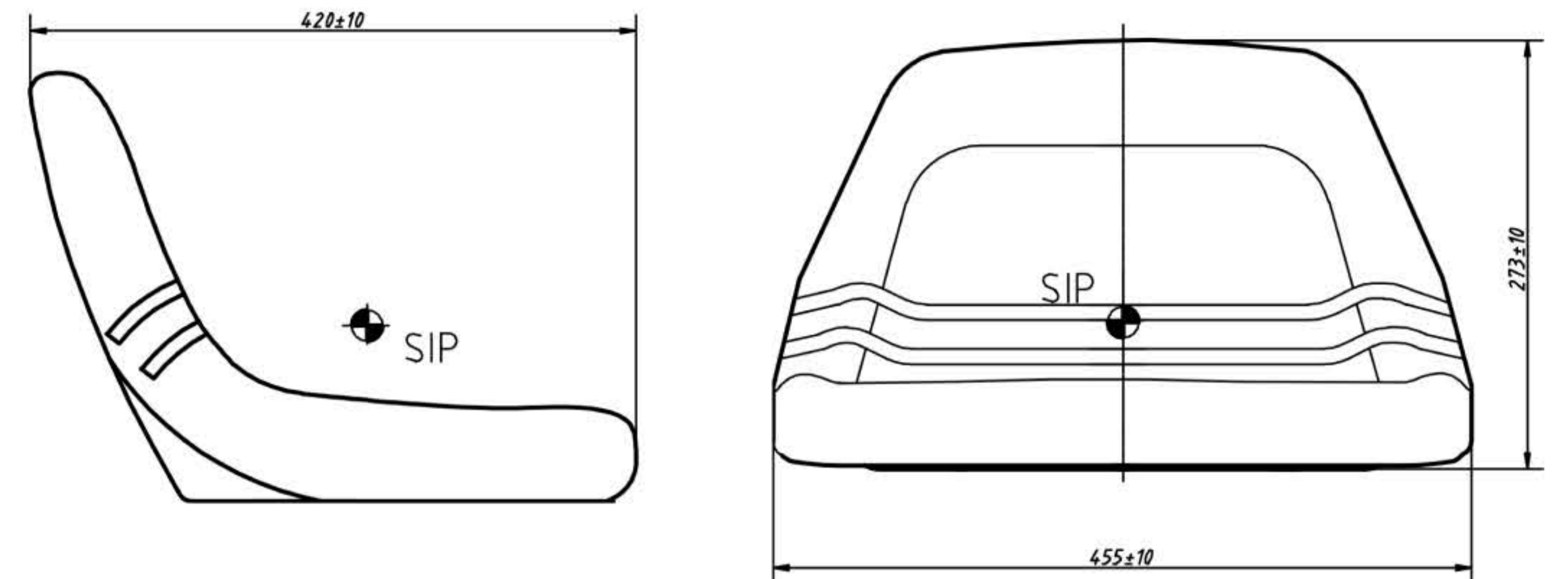
## 标准参数

塑料靠背  
轻便 不易生锈



园林系列/Garden series

# YY19



## STANDARD FEATURES

Low Back

The Cover Can Be Replaced

## 标准参数

低靠背

皮套可更换

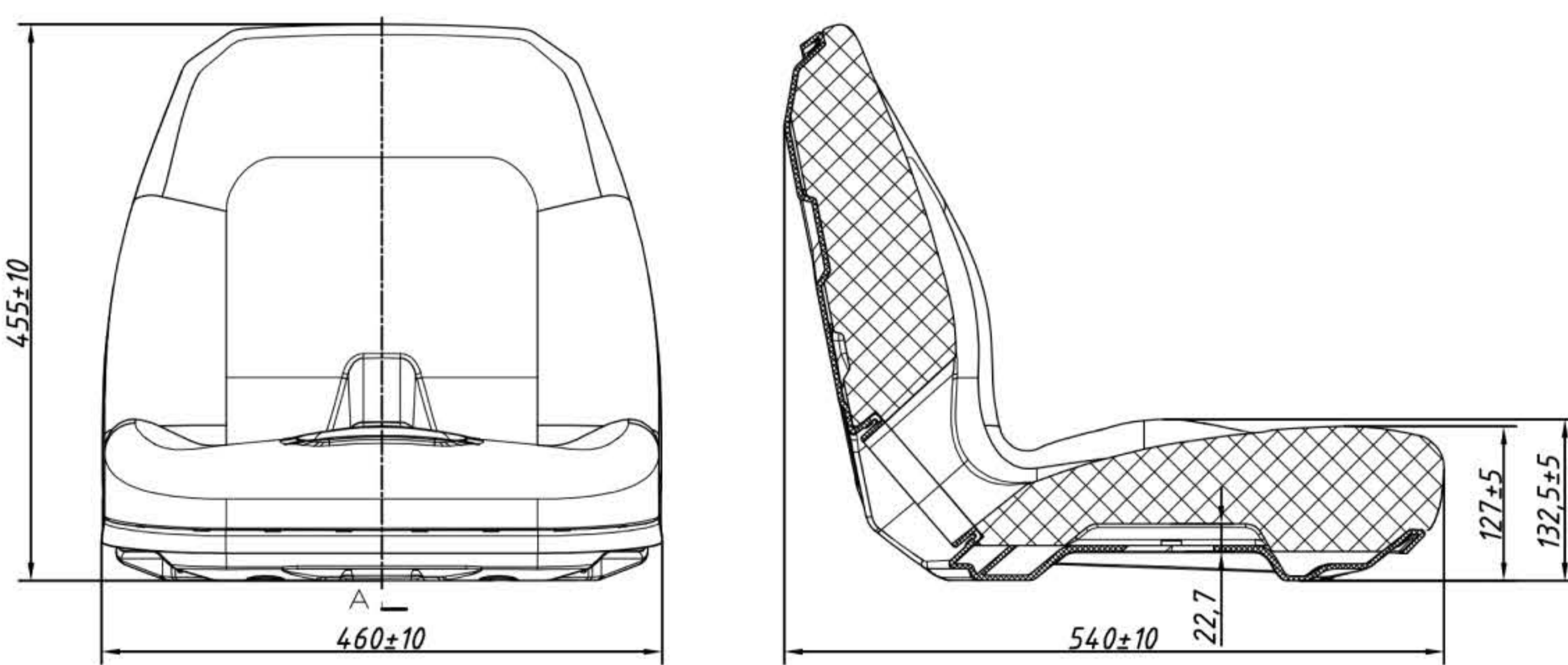
### Material 材质



### Cover 颜色



# YY28



### Material 材质



### Cover 颜色



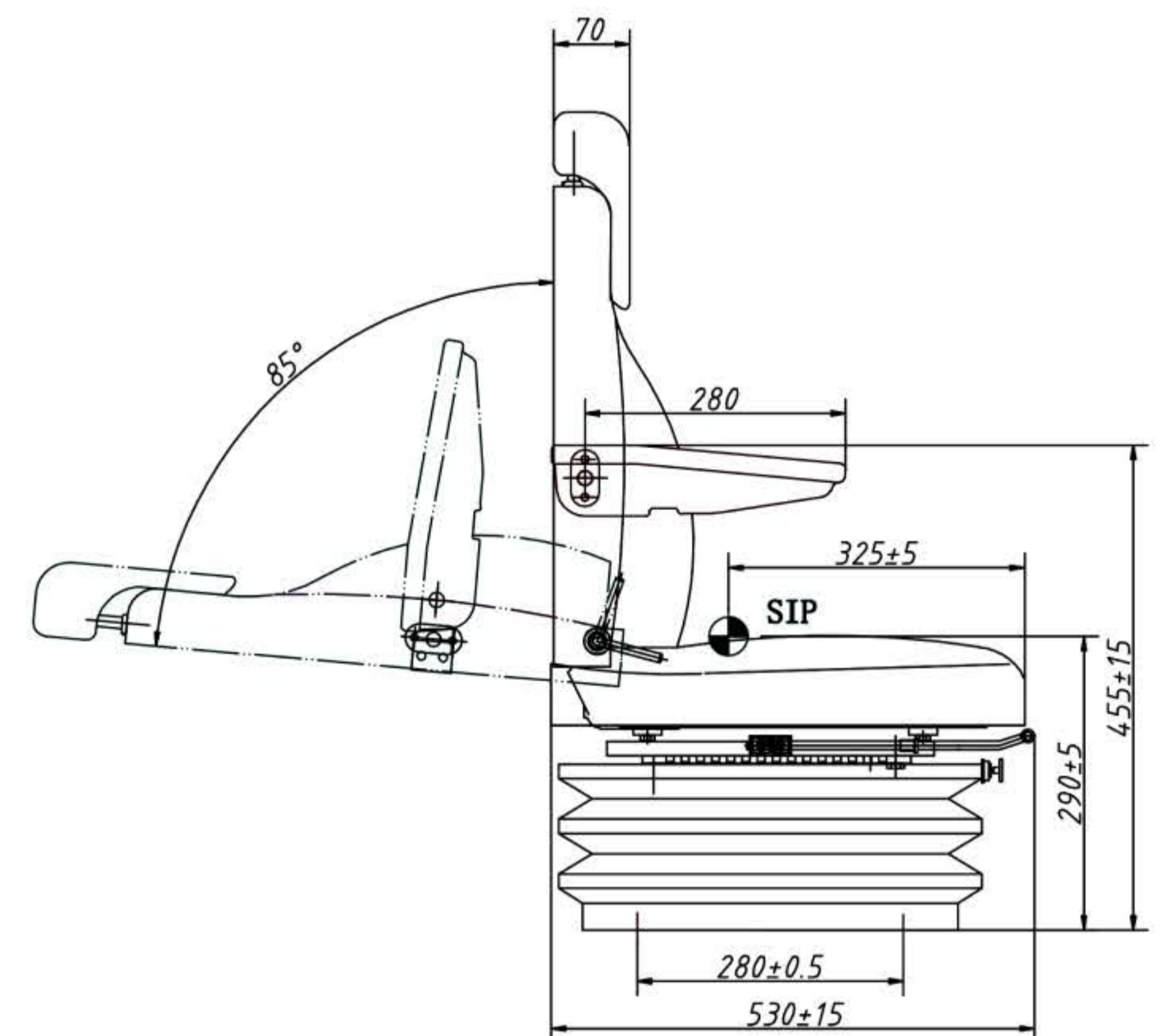
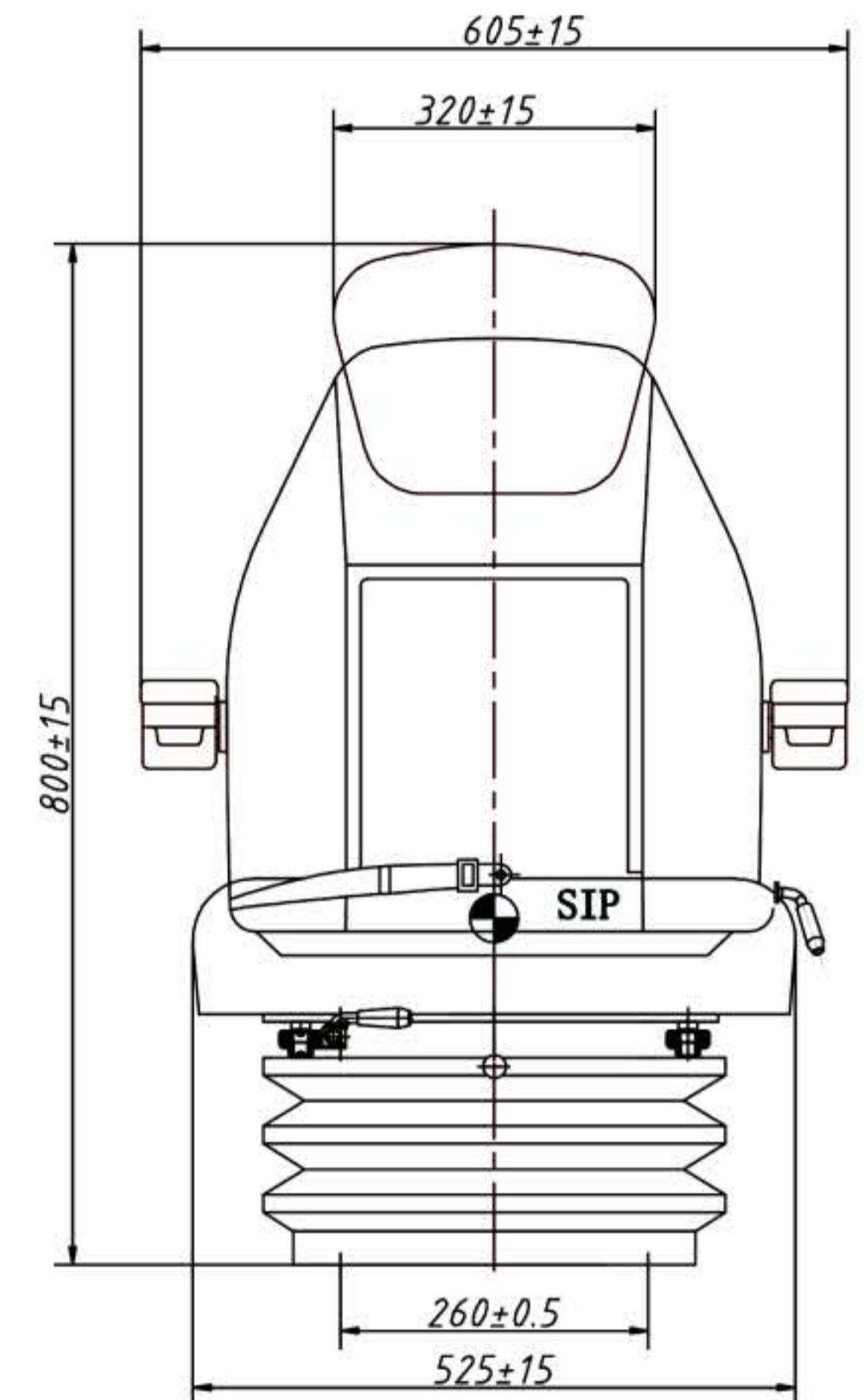
## STANDARD FEATURES

Polyurethane

## 标准参数

聚氨酯

# YJ 03



## STANDARD FEATURES

Adjustable Backrest

Fore/aft Adjustment:  
175mm

Weight Adjustment:  
50-130KG

Air suspension stroke:  
80mm

With 24V air compressor

## 标准参数

靠背可调

前后调节距离:  
175mm

体重调节范围:  
50-130KG

气囊减震行程:  
80mm

带24v电机

## Material 材质



PVC



Fabric

## Cover 颜色



可选附件



Armrest  
扶手



Safety Belt  
安全带



Headrest  
头枕



Mechanical Suspension  
机械减震器



Air Suspension  
气囊减震器



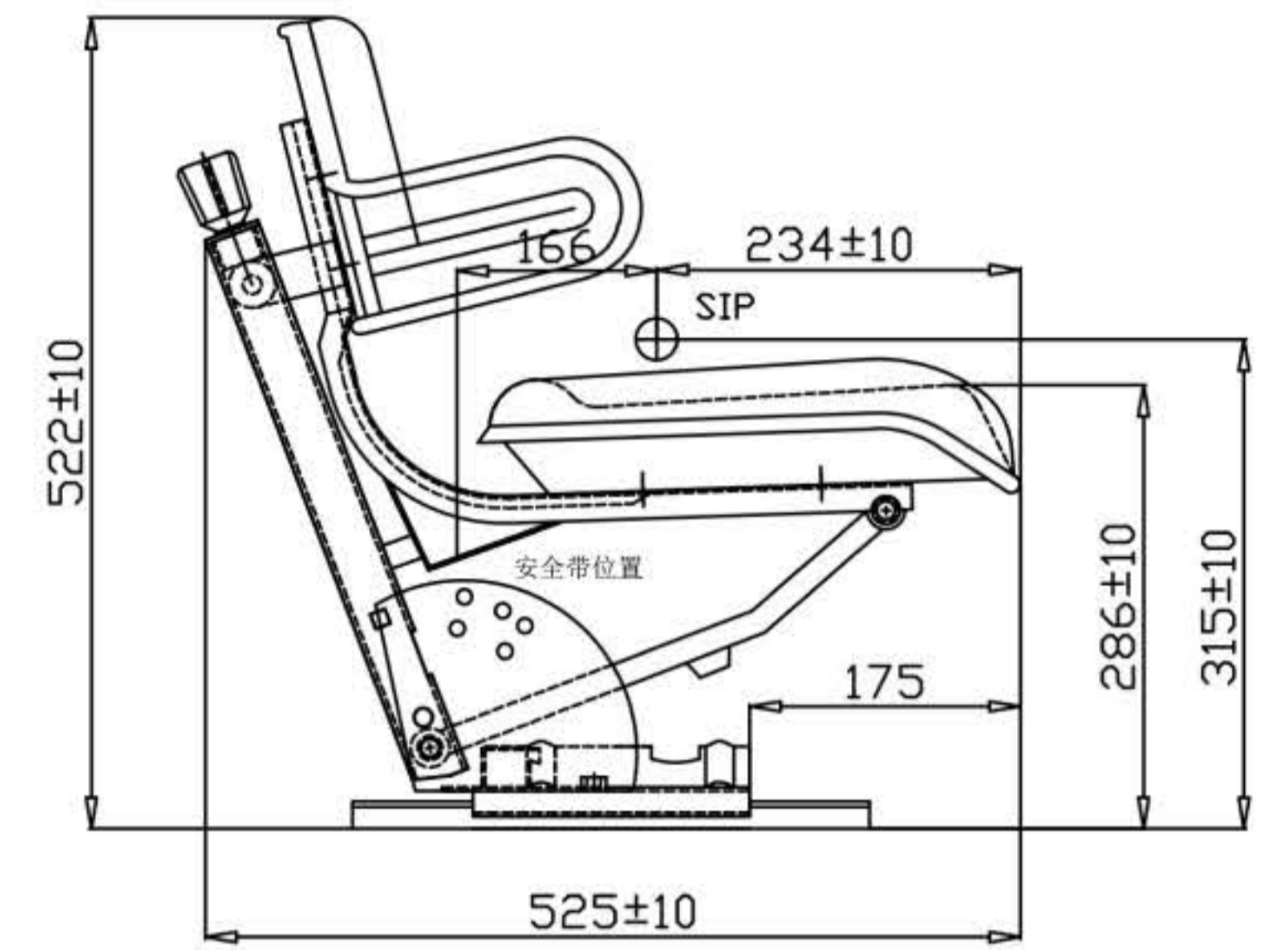
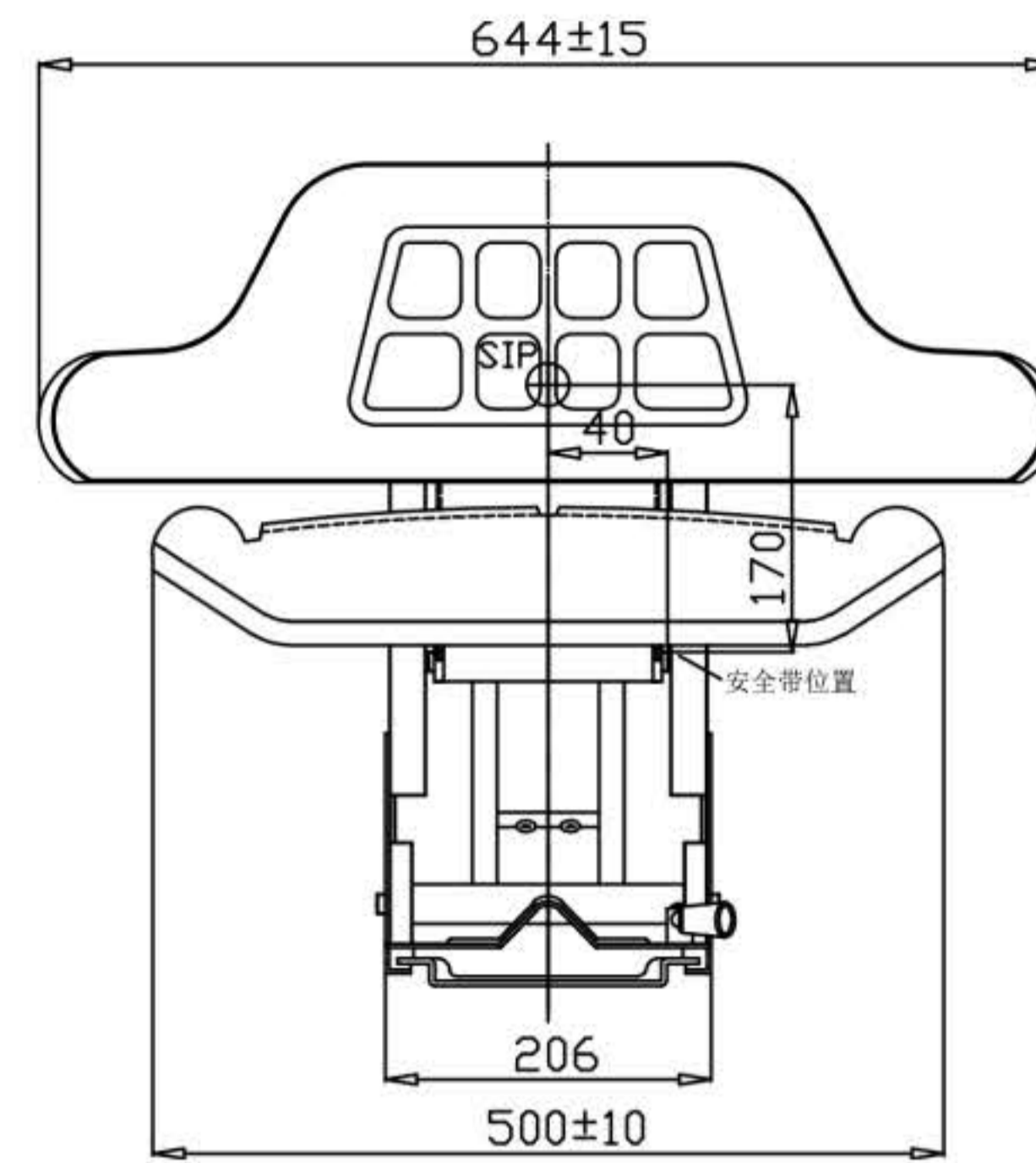
Armrest Control Box  
扶手箱



Heating Mat  
加热垫

农机系列/Agricultural Machinery Series

# YY08



## STANDARD FEATURES

Weight Adjustment: 50-120KG

Fore/aft adjust:  
Forward 70mm, afterward 60mm

## 标准参数

体重调节范围: 50-120KG

前/后调节:  
前70mm, 后60mm

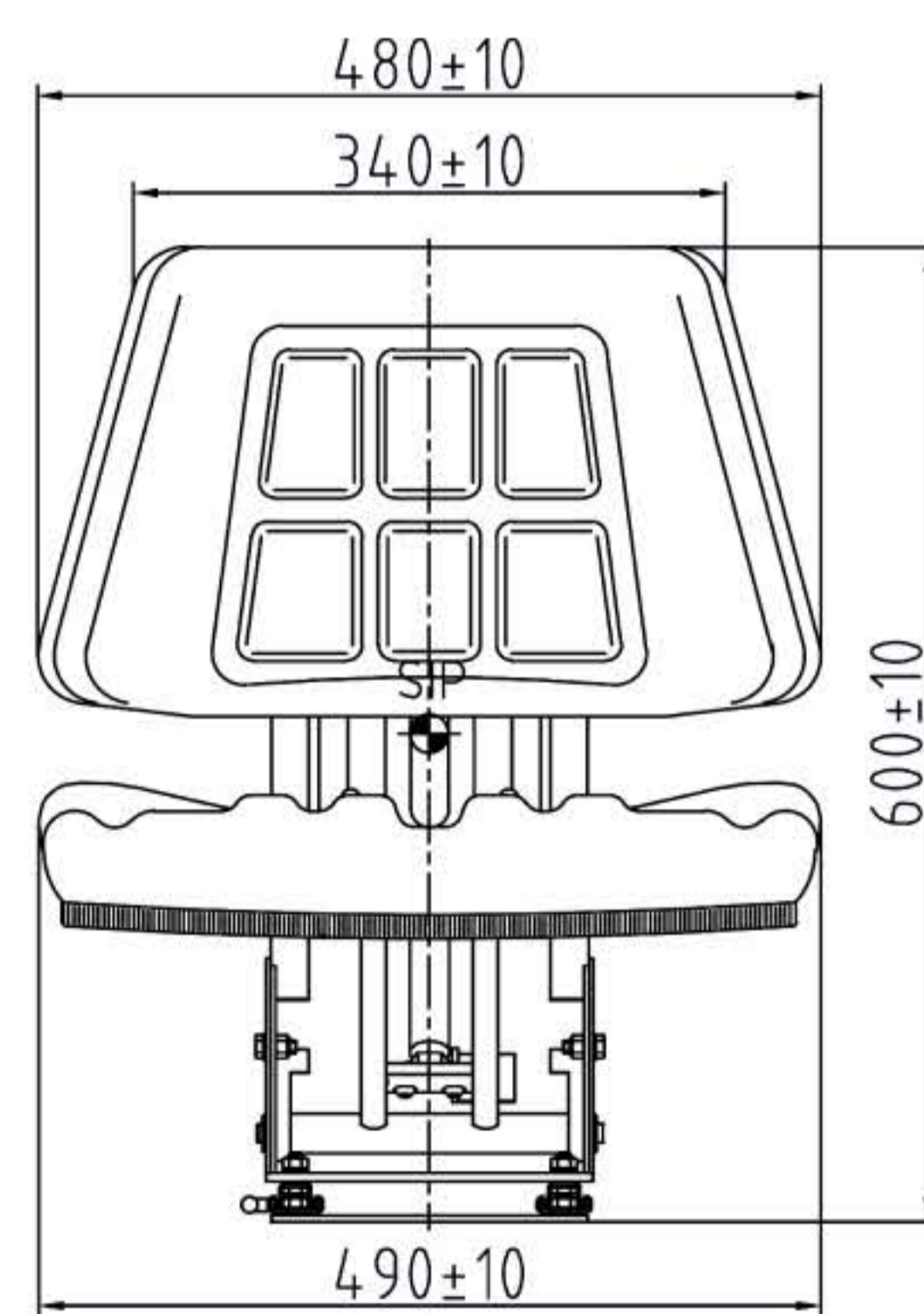
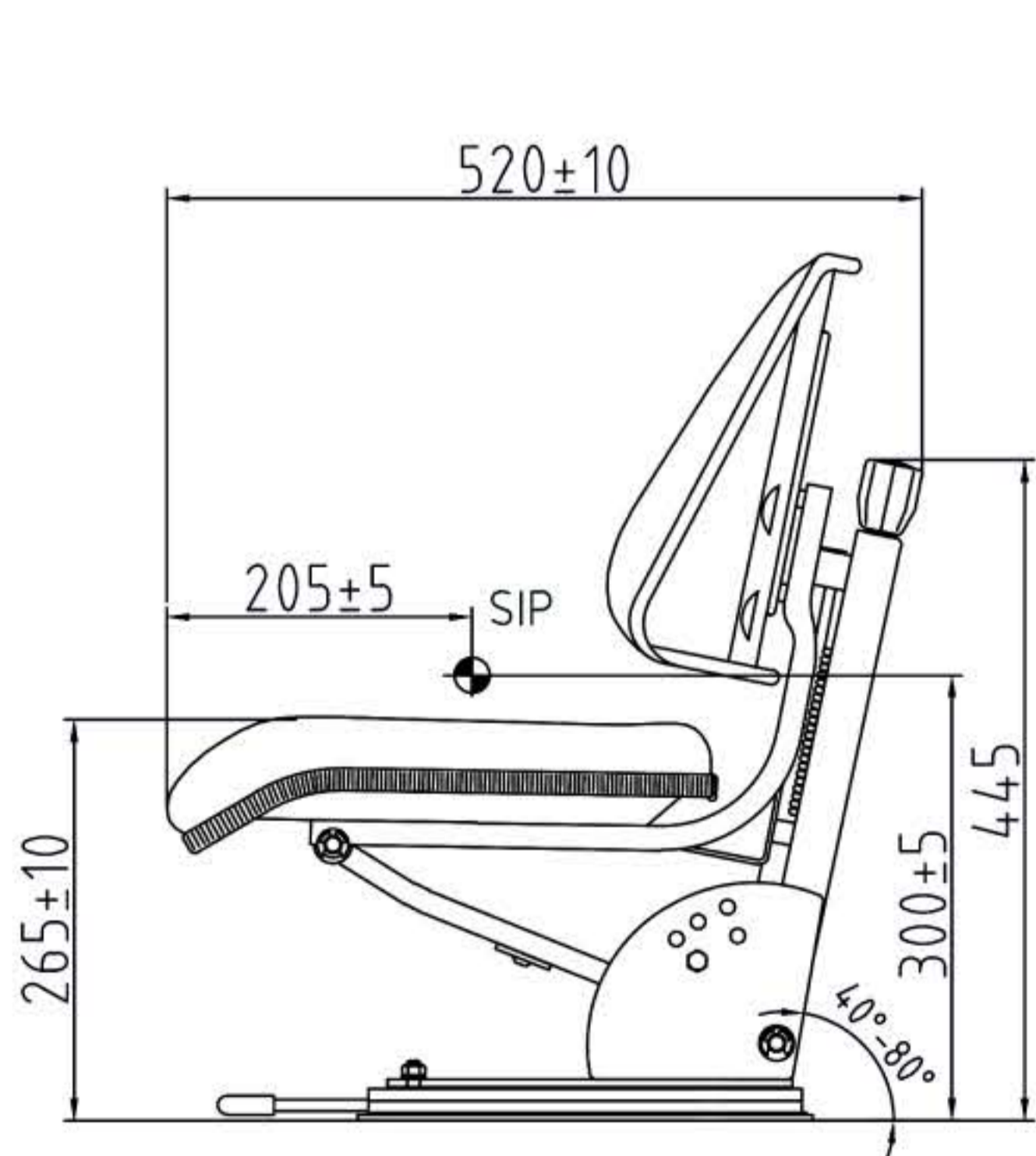
## Material 材质



## Cover 颜色



# YY10



## Material 材质



## Cover 颜色



## STANDARD FEATURES

Weight Adjustment: 50-120KG

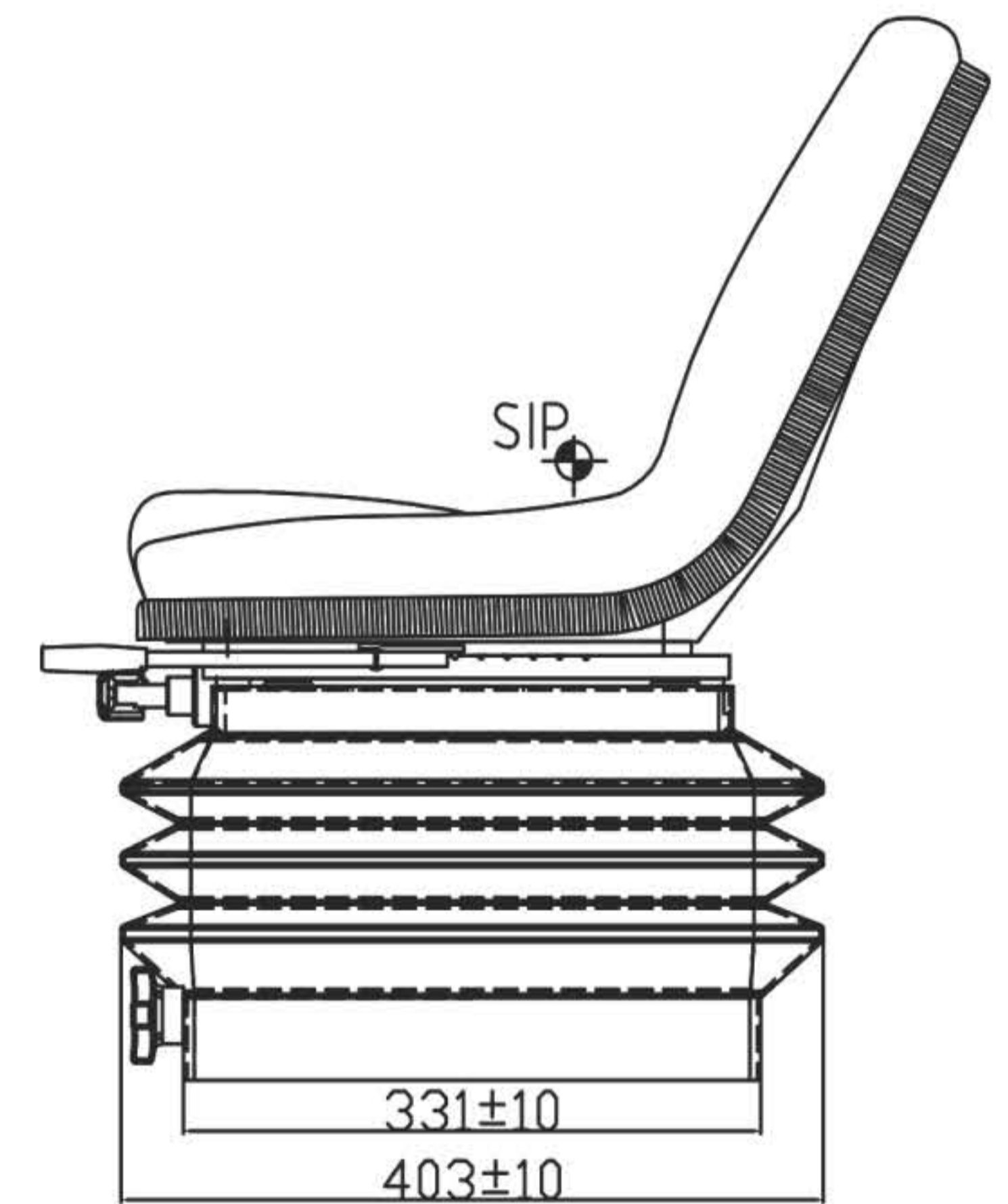
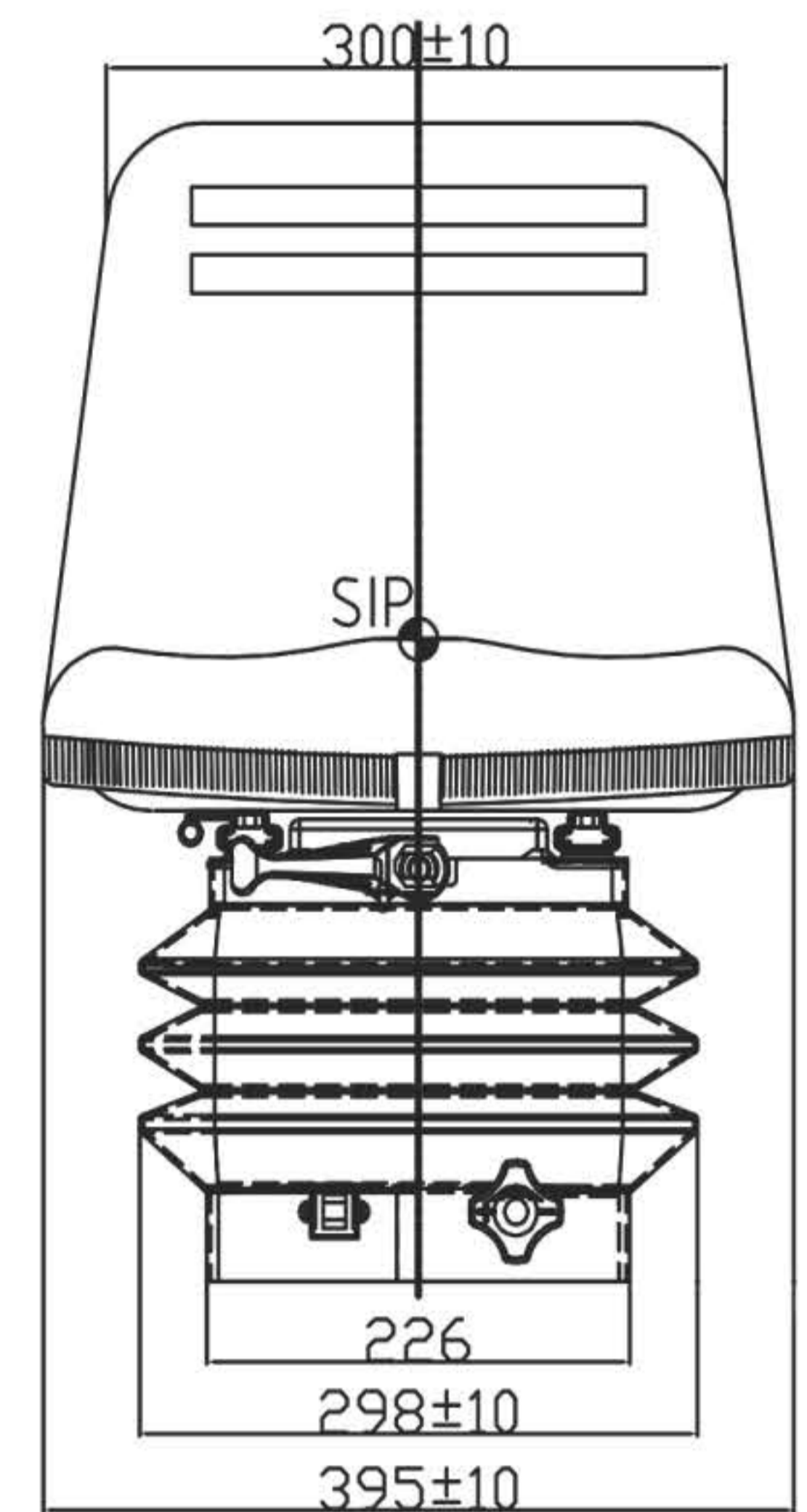
Mechanical Suspension Stroke: 80mm

## 标准参数

体重调节范围: 50-120KG

悬浮减震行程: 80mm

# YY 12-3



## STANDARD FEATURES

With draining holes

Fore/aft Adjustment:  
150mm ,Each step 15mm

Weight Adjustment:  
50-130KG

Mechanical Suspension Stroke:  
40-110mm

## 标准参数

带漏水孔

前后调节距离:  
行程150mm, 调节间距15mm

体重调节范围:  
50-130KG

悬浮减震行程:  
40-110mm

## Material 材质



## Cover 颜色



可选附件



Non-adjustable Armrest  
不可调扶手



Safety Belt  
安全带



Slide  
滑轨



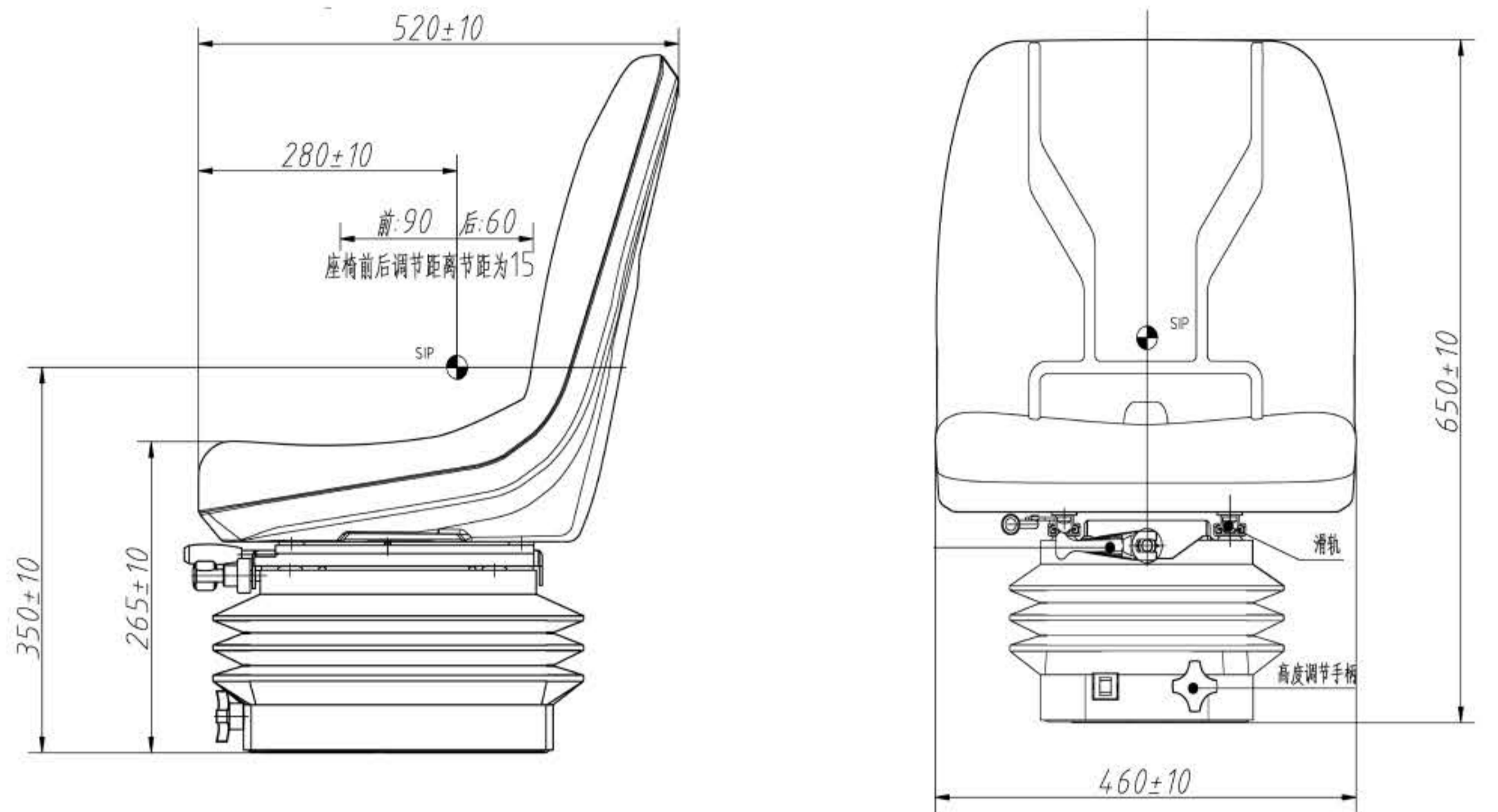
Micro Switch  
电锁



Mechanical Suspension  
机械减震器

农机系列/Agricultural Machinery Series

# YY60-3



## STANDARD FEATURES

Weight Adjustment: 50-130KG

Fore/aft Adjustment:  
150mm ,Each step 15mm

## 标准参数

体重调节范围: 50-130KG

前后调节距离:  
行程150mm, 调节间距15mm

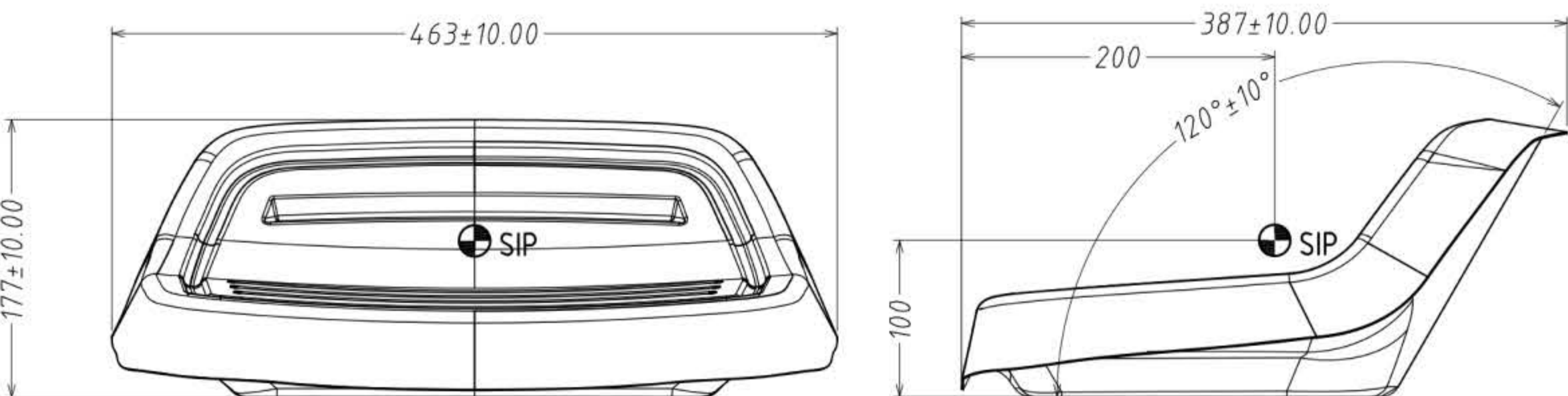
### Material 材质



### Cover 颜色



# YY30



### Material 材质



### Cover 颜色



## STANDARD FEATURES

Waterproof Cover

## 标准参数

防水面料

可选附件/OPTIONAL Accessories

Suspension 减震器



J03



J0303



J07



J08



J09

Micro Switch 电锁



D01



D02



D03



D08



D16

Safety Belt 安全带



A01



A02



A03



A05



A21

可选附件/OPTIONAL Accessories

**Slide** 滑轨



H02



H05



H09



H10



H30

**Armrest** 扶手



F01



F02



F03



F04



F08

**Headrest** 头枕



K04



K05

**Other** 其他



Armrest Control Box  
扶手箱



360° Swivel  
旋转机构



**南昌青林座椅制造有限公司**

Nanchang Qinglin Seat Manufacturing Co.,Ltd

**南昌青林汽车配件有限公司**

Nanchang Qinglin Automobile Accessories Co.,LTD

**地址:**江西省南昌市小蓝经济技术开发区雄溪北路1号

**Add:** No.1 Xiongxi North Road, Xiaolan Zone, Nanchang Jiangxi.

**电话Tel:**0791-85776525

**邮箱Email:**andy@ncyzy.cn

**官网Web:**www.qlseats.com